

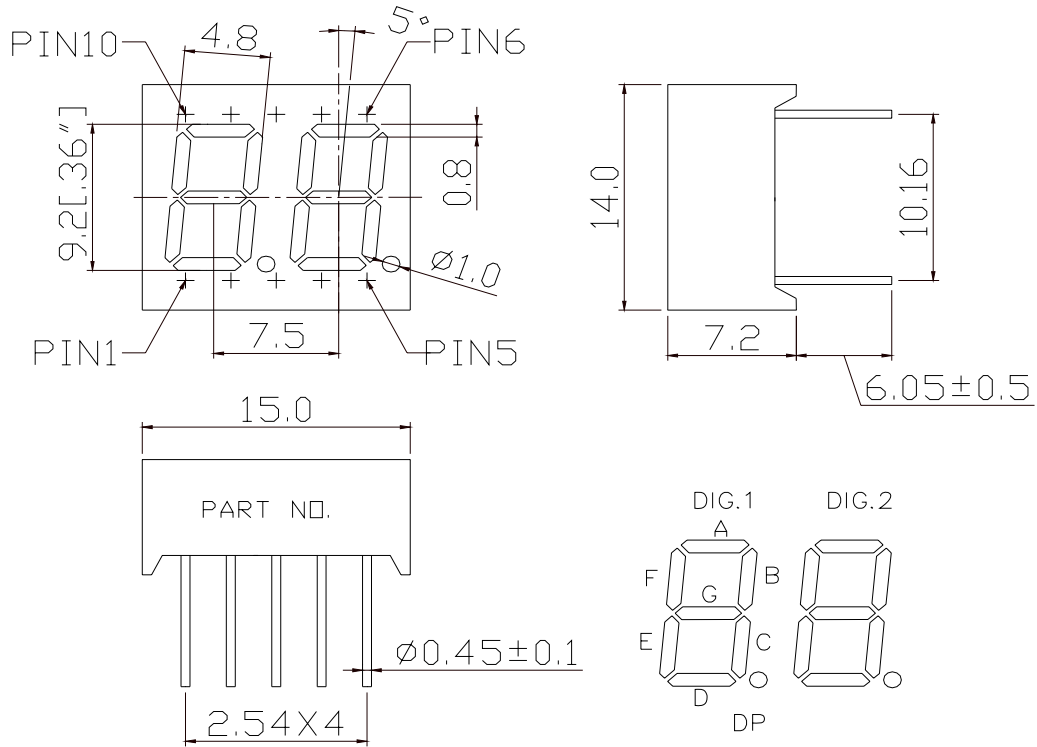
WCN2-0036SR-A11

SPECIFICATION

| WCN | | | CUSTOMER Confirmed |
|------------------------|-------------------|--------------------|-------------------------------|
| Prepared by | Checked by | Approved by | |
| Fei 2016-4-8 | Athena | William | |
| REVISION RECORD | | | |

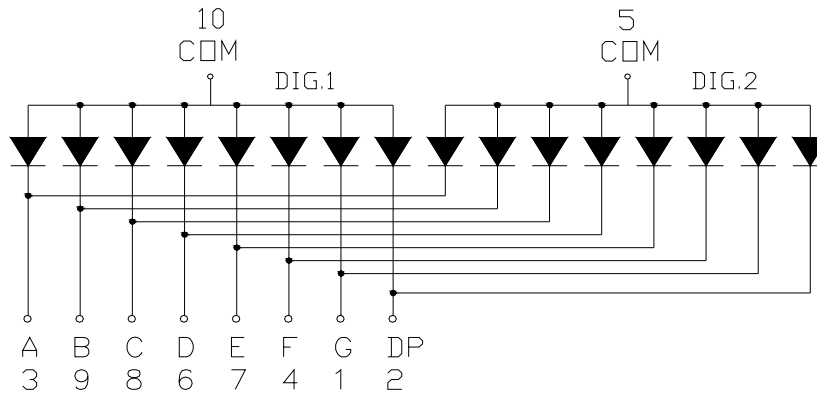
**REVISION: A0**

Outer Dimension:



Notes: Unless otherwise stated, The tolerance is ± 0.25 mm.

Circuit Diagram:



Pin Connection:

| PIN NO. | CONNECTION | PIN NO. | CONNECTION |
|---------|--------------|---------|--------------|
| 1 | Cathode G | 6 | Cathode D |
| 2 | Cathode DP | 7 | Cathode E |
| 3 | Cathode A | 8 | Cathode C |
| 4 | Cathode F | 9 | Cathode B |
| 5 | Common DIG.2 | 10 | Common DIG.1 |

■ **Features:**

- High Reliability
- Color:Red
- Low Power Requirement
- Easy Assembly

■ **Description:**

- Dual Digit Display
- Digit Height:9.2mm(0.36")
- Black Face and Milky Segment

■ **Absolute Maximum Rating (Ta=25°C):**

| Parameter | Symbol | Condition | Color | Rating | Units |
|----------------------------------|------------------|--------------------|-------|---------|-------|
| Power Dissipation Per Segment | P _d | — | Red | 65 | mW |
| Forward Current Per Segment | I _F | — | Red | 25 | mA |
| Peak Forward Current Per Segment | I _{FP} | 1/10 Duty 10KHz | Red | 100 | mA |
| Reverse Voltage Per Segment | V _R | — | Red | 5 | V |
| Operating Temperature Range | T _{opr} | — | — | -35~+85 | °C |
| Storage Temperature Range | T _{stg} | — | — | -35~+85 | °C |

■ **Electrical/Optical Characteristics Rating(Ta=25°C)**

| Item | Symbol | Test conditions | Location | Rating | | | Units |
|--|------------------|----------------------|-------------|--------|------|-------|-------|
| | | | | Min. | Typ. | Max. | |
| Forward Voltage | V _F | I _F =20mA | Per Segment | — | 2.00 | 2.60 | V |
| Reverse Current | I _R | V _R =5V | Per Segment | — | — | 100 | μA |
| Luminous Intensity | I _v | I _F =10mA | Per Segment | 2351 | 4500 | 7200 | μcd |
| Peak Emission Wave Length | λ _P | I _F =20mA | Per Segment | — | 638 | — | nm |
| | λ _D | | | — | 633 | | |
| Spectral Line Half Width | △λ | I _F =20mA | Per Segment | — | 20 | — | nm |
| Luminous Intensity Matching Ratio (Segment to Segment) | I _{v-m} | I _F =10mA | — | — | — | 1.2:1 | |

■ **Luminous Intensity Sorting: (Luminous Intensity Tolerance is +/-10%)**

| Rank | Symbol | Condition | Min | Max | Unit |
|------|--------|----------------------|------|------|------|
| J | J | I _F =10mA | 2351 | 3050 | μcd |
| K | K | I _F =10mA | 3051 | 4000 | μcd |
| L | L | I _F =10mA | 4001 | 5000 | μcd |
| M | M | I _F =10mA | 5001 | 6100 | μcd |
| N | N | I _F =10mA | 6101 | 7200 | μcd |

■ **Soldering Conditions: Soldering Temp. ≤+260°C, Soldering Time. ≤3sec.**
 (at 2mm Distance from The Case of Reflector Edge)

■ Typical Elector-Optical Characteristics Curve:

Fig 1. Forward Current vs. Forward Voltage

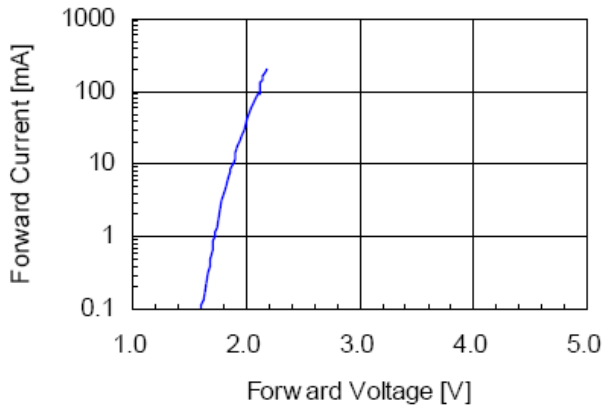


Fig 2. Relative Intensity vs. Forward Current

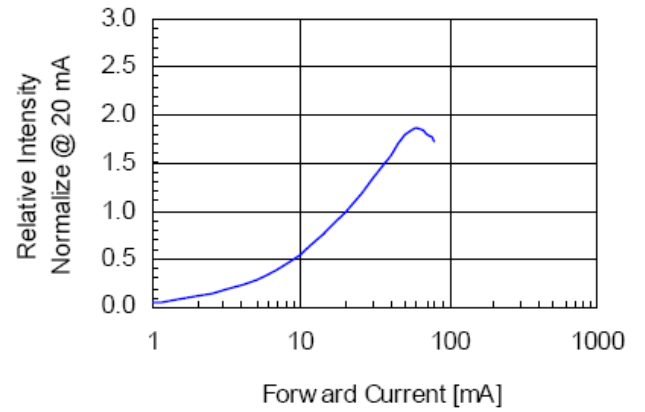


Fig 3. Forward Voltage vs. Temperature

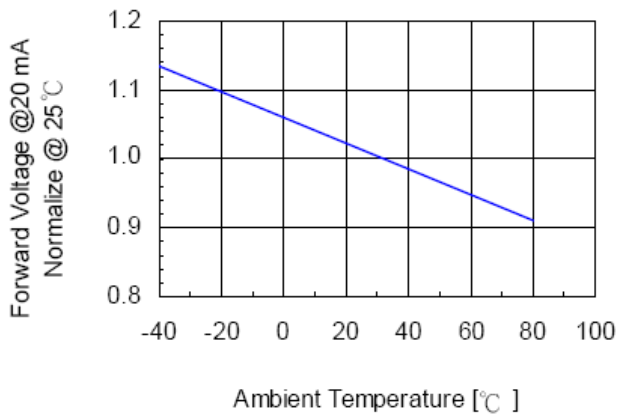


Fig 4. Relative Intensity vs. Temperature

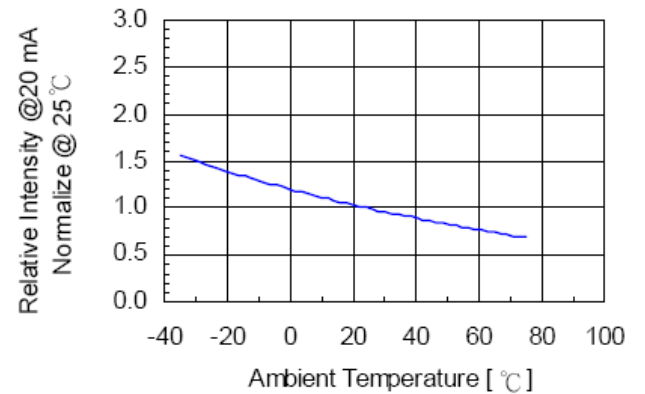
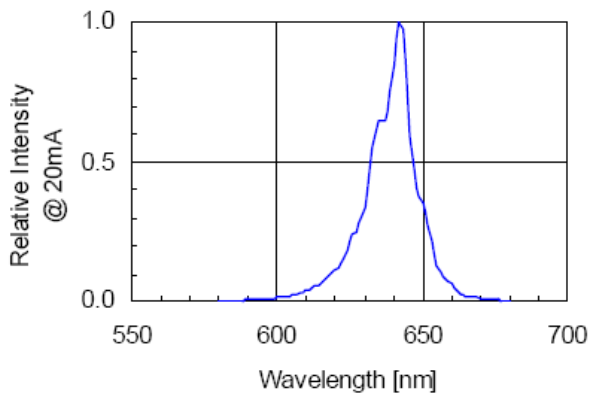


Fig 5. Relative Intensity vs. Wavelength



■ LED Displays Reliability Test:

| CLASSIFICATION | TEST ITEM | DESCRIPTION AND TEST CONDITION |
|--------------------|--|--|
| ENDURANCE TEST | OPERATION LIFE | EVALUATES RESISTANCE OF THE DEVICE WHEN OPERATED AT ELECTRICAL STRESS T _a = UNDER ROOM TEMPERATURE I _F = I _F max |
| | HIGH TEMPERATURE HIGH HUMIDITY STORAGE | EVALUATES MOISTURE RESISTANCE OF THE DEVICE WHEN STORED FOR A LONG TERM AT HIGH TEMPERATURE AND HUMIDITY T _a = 65±5°C RH=90~95%RH TEST TIME=240± 2Hrs |
| | HIGH TEMPERATURE STORAGE | EVALUATES DEVICE DURABILITY FOR LONG TERM STORAGE IN HIGH TEMPERATURE T _a = 85±5°C(COB: T _a =65±5°C) TEST TIME=1000Hrs(-24Hrs, +72Hrs) |
| | LOW TEMPERATURE STORAGE | EVALUATES DEVICE DURABILITY FOR LONG TERM STORAGE IN LOW TEMPERATURE T _a = -35±5°C TEST TIME=1000Hrs(-24Hrs, +72Hrs) |
| ENVIRONMENTAL TEST | TEMPERATURE CYCLING | EVALUATES RESISTANCE OF DEVICE AT THERMAL STRESSES OR EXPANSION AND CONTRACTION 85°C ~ 25°C ~ -35°C ~ 25°C 30min 5min 30min 5min 10 CYCLES(COB: T _{hot} =65°C, T _{cold} =-25°C) |
| | THERMAL SHOCK | EVALUATES DEVICE STRUCTURE AND STRUCTURE AND MECHANICAL RESISTANCE WHEN SUDDENLY EXPOSED AT SERVE CHANGES 85±5°C ~ -35±5°C 10min 10min 10 CYCLES(COB: T _{hot} =65°C, T _{cold} =-25°C) |
| | SOLDERABILITY | EVALUATES SOLDERABILITY ON LEADS OF DEVICE T.SOL=230±5°C DWELL TIME=5±1sec. |
| | SOLDER RESISTANCE | EVALUATES RESISTANCE TO THERMAL STRESS CAUSED BY SOLDERING T.SOL=260±5°C DWELL TIME=10±1sec. |

■ Packing method A:

210 pcs / Red Expandable Polyethylene.

1260 pcs / Box(360*175*130mm).

7560 pcs / Carton(550*380*280mm).

■ Packing method B:

33 pcs / IC Tube.(525*17*16)

2310 pcs / Box(537*175*125mm).

9240 pcs / Carton(550*380*280mm).