

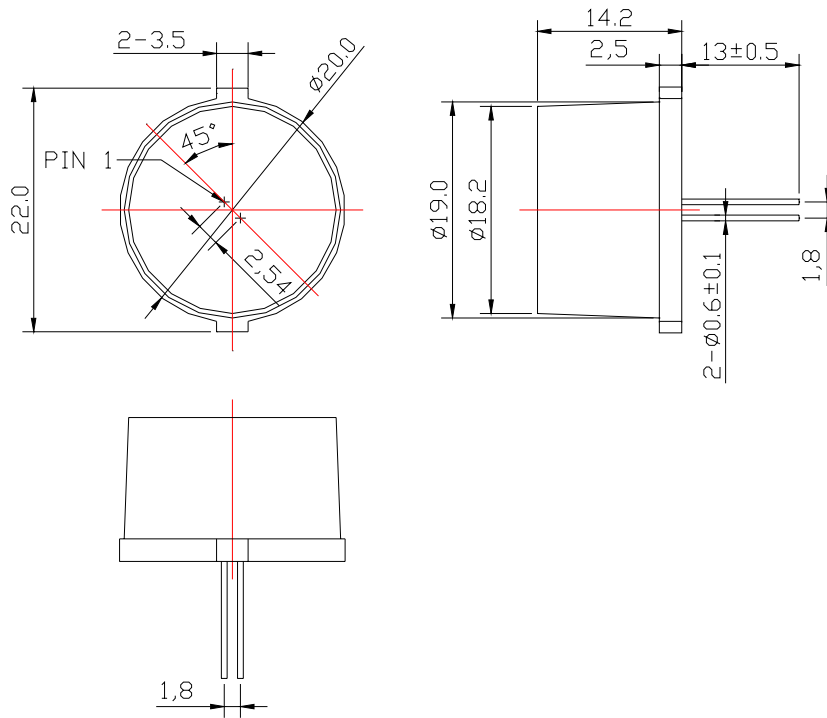
2025-R**SPECIFICATION**

WCN			CUSTOMER Confirmed
Prepared by	Checked by	Approved by	
Liu 2012-12-23	Athena		



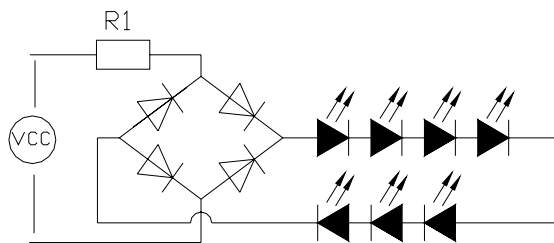
REVISION: A1

■ **Outer Dimension:**



Notes: Unless otherwise stated, The tolerance is ± 0.25 mm.

■ **Circuit Diagram**



■ **Features:**

- **High Reliability**
- **Emitting Color: Red**
- **Low Power Requirement**
- **Easy Assembly**

■ **Description:**

- **20 mm LED Signal Lamp**
- **Seven Pieces Red Color LED**
- **Red Diffuse Epoxy**

■ **Applications:**

- **Illuminations**
- **Indicator**

■ **Typical Electrical & Optical Characteristics (Ta = 25°C)**

Items	Symbol	Condition	Min.	Typ.	Max.	Unit
Forward Voltage	V_F	$I_F = 17\text{mA}$	---	24	---	V
Forward Current	I_F	$V_F = 24\text{V}$	---	17	20	mA
Peak Forward Current	I_{FP}	1/10 duty 10KHZ	---	---	90	mA
Power Dissipation	P_D	---	---	---	500	mW
Luminous Intensity	I_V	$I_F = 20\text{mA}$	180	200	---	mcd
Peak Emission Wavelength	λ_p	$I_F = 20\text{mA}$	---	635	---	nm
Dominant Wavelength	λ_d	$I_F = 20\text{mA}$	---	622	---	nm
Operation Temperature	T_{opr}	-35 ~ + 85				°C
Storage Temperature	T_{stg}	-35 ~ + 85				°C
Lead Soldering Temperature	T_{sol}	Max.260°C for 3 sec Max. (3mm from the base of the epoxy bulb)				

■ **Packaging Standard:**

1. The Outer Carton outer dimensions are: 550*370*270mm.
2. The Inner Carton outer dimensions are: 370*360*255mm
3. The Anlistatig Bag dimensions are: 200*160mm
4. One Outer Carton contained two Inner Cartons and 3360 PCS products.
5. One Inner Carton contained 1680 PCS products.
6. One anlistatig Bag contained 70 PCS products.

■ **Data is subject to change without prior notice.**

■ **Revision Record**

A0: New Version issued. (2012-7-3)

A1: Change PIN Location and PIN Dimension. (2012-12-23)