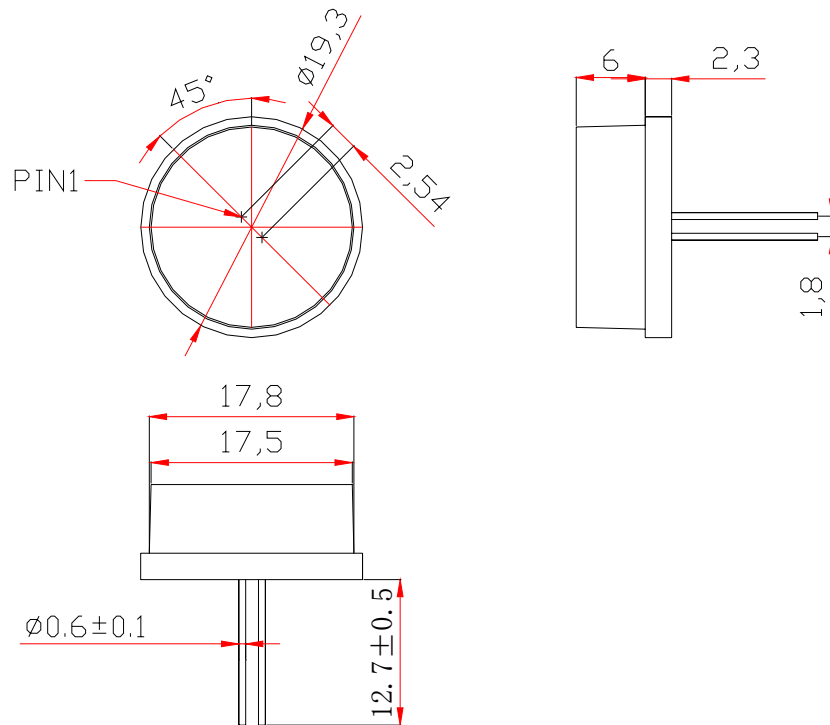


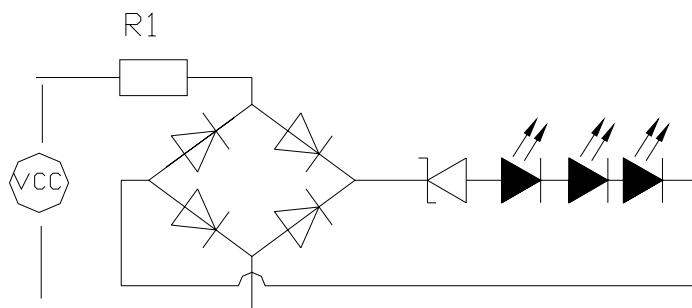
2026-R-15**SPECIFICATION**

WCN			CUSTOMER Confirmed
Prepared by	Checked by	Approved by	
Fei 2015-11-16	Athena		

**REVISION: A0**

Outer Dimension:

Notes: Unless otherwise stated, The tolerance is ± 0.25 mm.

Circuit Diagram**Features:**

- . High Reliability
- . Emitting Color: Red
- . Low Power Requirement
- . Easy Assembly

Description:

- . 19.3 mm LED Signal Lamp
- . Six Pieces Red Color LED
- . Red Diffuse Epoxy

Applications:

- . Illuminations
- . Indicator

■ **Typical Electrical & Optical Characteristics (Ta = 25°C)**

Items	Symbol	Condition	Min.	Typ.	Max.	Unit
Forward Voltage	V _F	I _F = 17mA	---	24	---	V
Forward Current	I _F	V _F = 24V	---	17	20	mA
Peak Forward Current	I _{FP}	1/10 duty 10KHZ	---	---	90	mA
Power Dissipation	P _D	---	---	---	500	mW
Luminous Intensity	I _V	I _F = 17mA	156	180	---	mcd
Peak Emission Wavelength	λ _p	I _F = 17mA	---	635	---	nm
Dominant Wavelength	λ _d	I _F = 17mA	---	622	---	nm
Operation	T _{opr}	-40 ~ + 85				°C
Storage	T _{stg}	-40 ~ + 85				°C
Lead Soldering Temperature	T _{sol}	Max.260°C for 3 sec Max. (3mm from the base of the epoxy bulb)				

■ **Packaging Standard:**

1. The Outer Carton outer dimensions are: 550*370*270mm.
2. The Inner Carton outer dimensions are: 370*360*255mm
3. The Antistatic Bag dimensions are: 200*160mm
4. One Outer Carton contained two Inner Cartons and 3600 PCS products.
5. One Inner Carton contained 1800 PCS products.
6. One Antistatic Bag contained 200 PCS products.

■ **Data is subject to change without prior notice.**

■ **Revision Record**

A0: New Version issued. (2015-11-16)