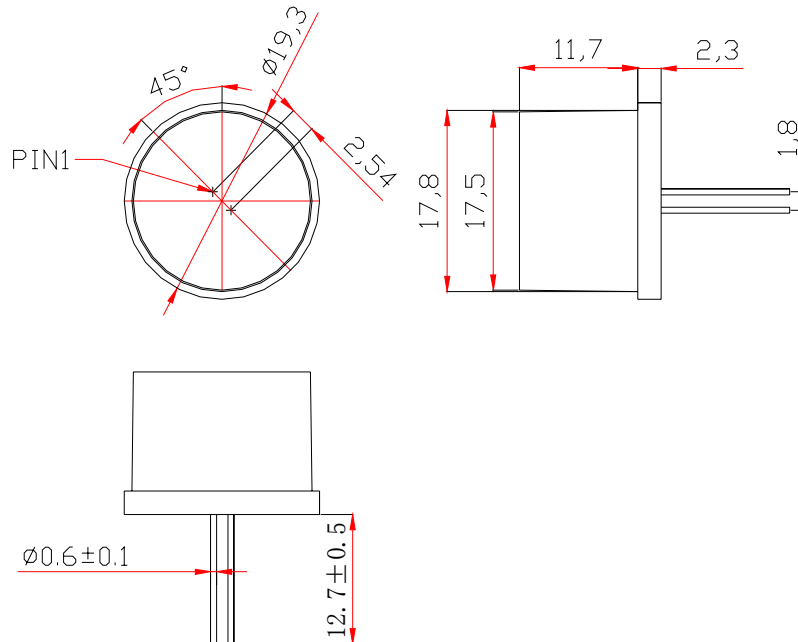


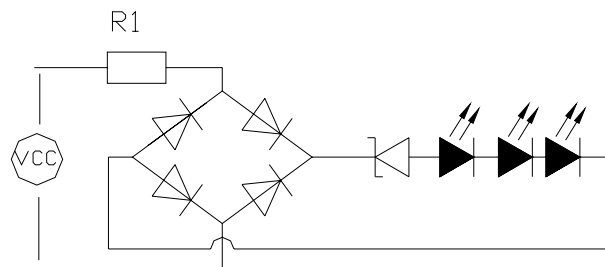
**2027-R-15****SPECIFICATION**

WCN			CUSTOMER Confirmed
Prepared by	Checked by	Approved by	
Fei 2015-11-16	Athena		



**Outer Dimension:**

Notes: Unless otherwise stated, The tolerance is  $\pm 0,25\text{mm}$ .

**Circuit Diagram****Features:**

- . High Reliability
- . Emitting Color: Red
- . Low Power Requirement
- . Easy Assembly

**Description:**

- . 19.3 mm LED Signal Lamp
- . Two Pieces Red Color LED Lamp
- . Red Diffuse Epoxy

**Applications:**

- . Illuminations
- . Indicator

■ **Typical Electrical & Optical Characteristics ( Ta = 25°C)**

Items	Symbol	Condition	Min.	Typ.	Max.	Unit
Forward Voltage	V <sub>F</sub>	I <sub>F</sub> = 17mA	---	24	---	V
Forward Current	I <sub>F</sub>	V <sub>F</sub> = 24V	---	17	---	mA
Peak Forward Current	I <sub>FP</sub>	1/10 duty 10KHZ	---	---	90	mA
Power Dissipation	P <sub>D</sub>	---	---	---	500	mW
Luminous Intensity	I <sub>v</sub>	I <sub>F</sub> = 17mA	156	180	---	mcd
Peak Emission	λ <sub>p</sub>	I <sub>F</sub> = 17mA	---	635	---	nm
Dominant	λ <sub>d</sub>	I <sub>F</sub> = 17mA	---	622	---	nm
Operation	T <sub>opr</sub>	-40 ~ + 85				°C
Storage	T <sub>stg</sub>	-40 ~ + 85				°C
Lead Soldering Temperature	T <sub>sol</sub>	Max.260°C for 3 sec Max. (3mm from the base of the epoxy bulb)				

■ **Packaging Standard:**

1. The Outer Carton outer dimensions are: 550\*370\*270mm.
2. The Inner Carton outer dimensions are: 370\*360\*255mm
3. The Antistatic Bag dimensions are: 200\*160mm
4. One Outer Carton contained two Inner Cartons and 3200 PCS products.
5. One Inner Carton contained 1600 PCS products.
6. One Antistatic Bag contained 200 PCS products.

■ **Data is subject to change without prior notice.**

■ **Revision Record**

A0: New Version issued. (2015-11-16)