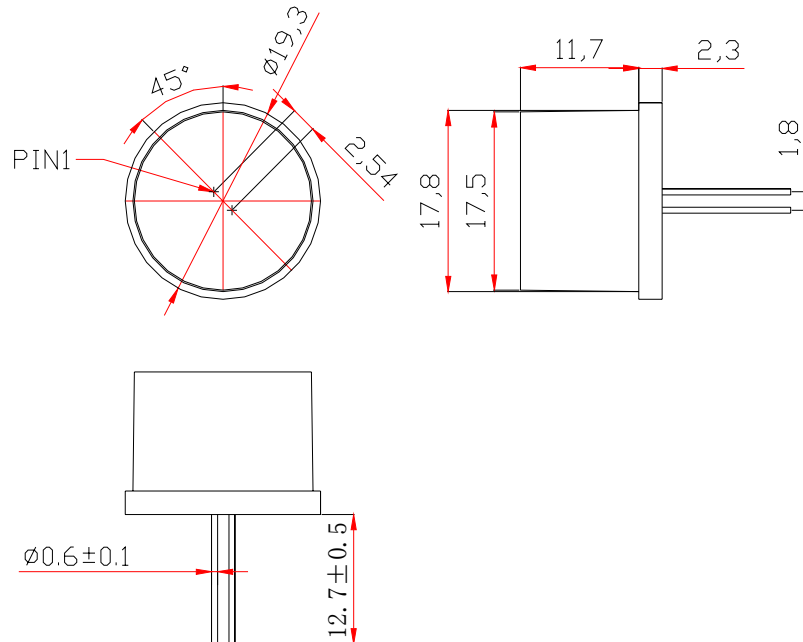


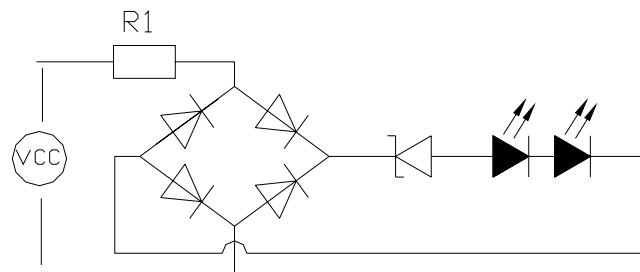
2027-G-15**SPECIFICATION**

WCN			CUSTOMER Confirmed
Prepared by	Checked by	Approved by	
Fei 2015-11-16	Athena		

**REVISION: A0**

Outer Dimension:

Notes: Unless otherwise stated, The tolerance is $\pm 0.25\text{mm}$.

Circuit Diagram**Features:**

- . High Reliability
- . Emitting Color: Green
- . Low Power Requirement
- . Easy Assembly

Description:

- . 19.3 mm LED Signal Lamp
- . Two Pieces Green Color LED Lamp
- . Green Diffuse Epoxy

Applications:

- . Illuminations
- . Indicator

■ **Typical Electrical & Optical Characteristics (Ta = 25°C)**

Items	Symbol	Condition	Min.	Typ.	Max.	Unit
Forward Voltage	V_F	$I_F = 17\text{mA}$	---	24	---	V
Forward Current	I_F	$V_F = 24\text{V}$	---	17	---	mA
Peak Forward Current	I_{FP}	1/10 duty 10KHZ	---	---	90	mA
Power Dissipation	P_D	---	---	---	500	mW
Luminous Intensity	I_v	$I_F = 17\text{mA}$	280	360	---	mcd
Peak Emission	λ_p	$I_F = 17\text{mA}$	---	515	---	nm
Dominant	λ_d	$I_F = 17\text{mA}$	---	522	---	nm
Operation	T_{opr}	-40 ~ + 85				°C
Storage	T_{stg}	-40 ~ + 85				°C
Lead Soldering Temperature	T_{sol}	Max.260°C for 3 sec Max. (3mm from the base of the epoxy bulb)				

■ **Packaging Standard:**

1. The Outer Carton outer dimensions are: 550*370*270mm.
2. The Inner Carton outer dimensions are: 370*360*255mm
3. The Antistatic Bag dimensions are: 200*160mm
4. One Outer Carton contained two Inner Cartons and 3200 PCS products.
5. One Inner Carton contained 1600 PCS products.
6. One Antistatic Bag contained 200 PCS products.

■ **Data is subject to change without prior notice.**

■ **Revision Record**

A0: New Version issued. (2015-11-16)