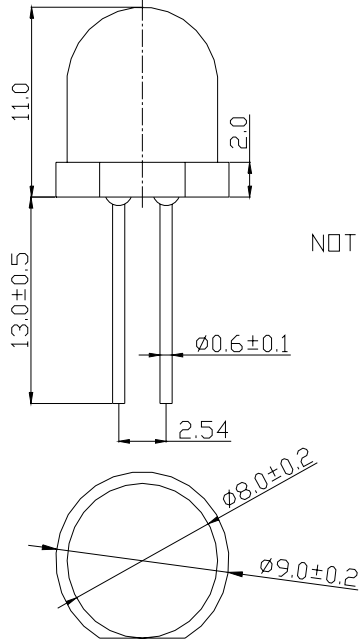


8-Y**SPECIFICATION**

WCN			CUSTOMER
Prepared by	Checked by	Approved by	Confirmed
M.W.J 2011-6-21	Meng		

**REVISION: A0**

■ **Outer Dimension:**

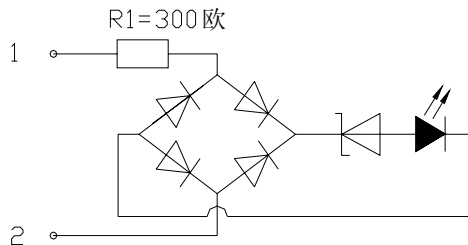


NOTES: 1. ALL DIMENSIONS ARE IN mm ,
TOLERANCE IS ± 0.25 ,
UNLESS OTHERWISE NOTED.

2. AN EPOXY MENISCUS MAY
EXTEND ABOUT 1.5mm DOWN
THE LEADS.

Notes: Unless otherwise stated, The tolerance is ± 0.25 mm.

■ **Circuit Diagram**



■ **Features:**

- **High Reliability**
- **Emitting Color: Red**
- **Low Power Requirement**
- **Easy Assembly**

■ **Description:**

- **8 mm LED Signal Lamp**
- **One Pieces Red Color LED**
- **Yellow Diffuse Epoxy**

■ **Applications:**

- **Illuminations**
- **Indicator**



World Components Network Service Ltd

■ Typical Electrical & Optical Characteristics (Ta = 25°C)

Items	Symbol	Condition	Min.	Typ.	Max.	Unit
Forward Voltage	V_F	$I_F = 20\text{mA}$	---	24	---	V
Forward Current	I_F	$V_F = 24\text{V}$	---	20	30	mA
Peak Forward Current	I_{FP}	1/10 duty 10KHZ	---	---	90	mA
Power Dissipation	P_D	---	---	---	720	mW
Luminous Intensity	I_V	$I_F = 20\text{mA}$	180	200	---	mcd
Peak Emission Wavelength	λ_p	$I_F = 20\text{mA}$	---	595	---	nm
Dominant Wavelength	λ_d	$I_F = 20\text{mA}$	---	588	---	nm
Operation	T_{opr}	-35 ~ + 85				°C
Storage Temperature	T_{stg}	-35 ~ + 85				°C
Lead Soldering Temperature	T_{sol}	Max.260°C for 3 sec Max. (3mm from the base of the epoxy bulb)				

■ Packaging Standard:

1. The Outer Carton outer dimensions are: 550*380*280mm.
2. The Inner Carton outer dimensions are: 360*175*130mm
3. The Antistatic Bag dimensions are: 200*160mm
4. One Outer Carton contained two Inner Cartons and 28800 PCS products.
5. One Inner Carton contained 4800 PCS products.
6. One Antistatic Bag contained 400 PCS products.

■ Data is subject to change without prior notice.