

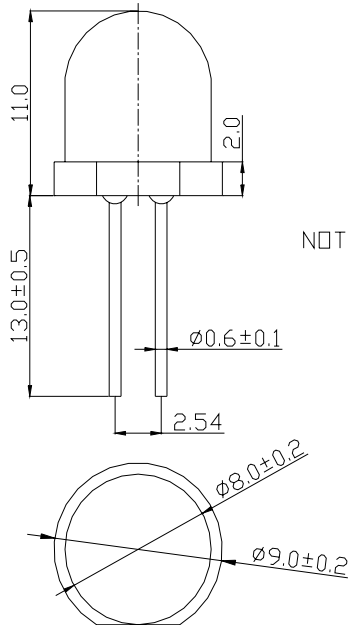
8-G**SPECIFICATION**

WCN			CUSTOMER Confirmed
Prepared by	Checked by	Approved by	
LIU 2014-1-9	Athena		



REVISION: A1

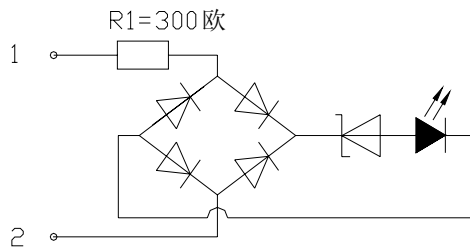
Outer Dimension:



NOTES: 1. ALL DIMENSIONS ARE IN mm ,
TOLERANCE IS +/-0.25,
UNLESS OTHERWISE NOTED.
2. AN EPOXY MENISCUS MAY
EXTEND ABOUT 1.5mm DOWN
THE LEADS.

Notes: Unless otherwise stated, The tolerance is ± 0.25 mm.

Circuit Diagram



Features:

- . High Reliability
- . Emitting Color: Pure Green
- . Low Power Requirement
- . Easy Assembly

Description:

- . 8 mm LED Signal Lamp
- . One Pieces Green Color LED
- . Green Diffuse Epoxy

Applications:

- . Illuminations
- . Indicator

Typical Electrical & Optical Characteristics (Ta = 25°C)

Items	Symbol	Condition	Min.	Typ.	Max.	Unit
Forward Voltage	V_F	$I_F = 20\text{mA}$	---	24	---	V
Forward Current	I_F	$V_F = 26\text{ V}$	---	20	30	mA
Peak Forward Current	I_{FP}	1/10 duty 10KHZ	---	---	90	mA
Power Dissipation	P_D	---	---	---	800	mW
Luminous Intensity	I_V	$I_F = 20\text{mA}$	220	260	---	mcd
Peak Emission Wavelength	λ_p	$I_F = 20\text{mA}$	---	520	---	nm
Dominant Wavelength	λ_d	$I_F = 20\text{mA}$	---	522	---	nm
Operation Temperature	T_{opr}	-35 ~ + 85				°C
Storage Temperature	T_{stg}	-35 ~ + 85				°C
Lead Soldering Temperature	T_{sol}	Max.260°C for 3 sec Max. (3mm from the base of the epoxy bulb)				

Packaging Standard:

1. The Outer Carton outer dimensions are: 550*380*280mm.
2. The Inner Carton outer dimensions are: 360*175*130mm
3. The Antistatic Bag dimensions are: 200*160mm
4. One Outer Carton contained two Inner Cartons and 28800 PCS products.
5. One Inner Carton contained 4800 PCS products.
6. One Antistatic Bag contained 400 PCS products.

■ Data is subject to change without prior notice.