

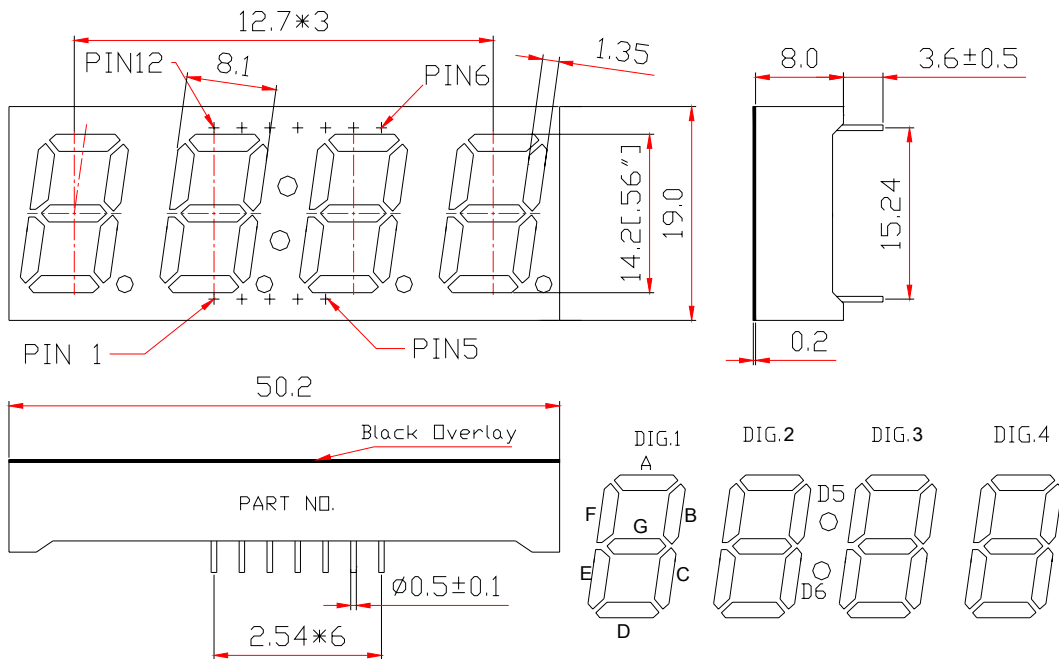
**WCN4-0456WW-A71-HF****SPECIFICATION**

WCN			CUSTOMER Confirmed
Prepared by	Checked by	Approved by	
Fei 2017-11-22	Athena		



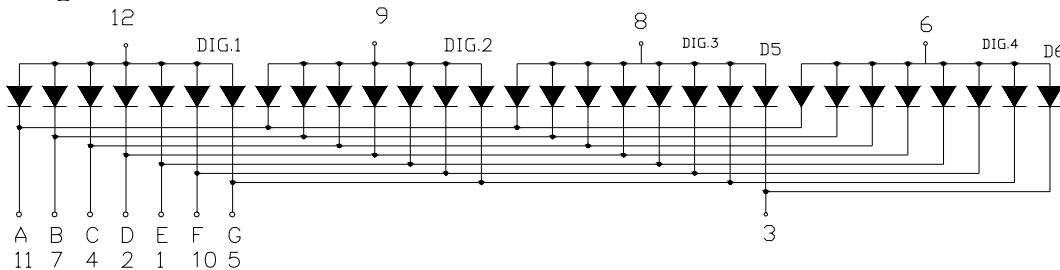
REVISION: A3

## Outer Dimension:



Note: Unless otherwise stated, The tolerance is  $\pm 0.25$  mm.

## Circuit Diagram:



## Overlay Pattern:



## Pin Connection:

PIN NO.	CONNECTION	PIN NO.	CONNECTION
1	Cathode E	7	Cathode B
2	Cathode D	8	Common Anode Dig.3
3	Cathode DP5, DP6	9	Common Anode Dig.2
4	Cathode C	10	Cathode F
5	Cathode G	11	Cathode A
6	Common Anode Dig.4	12	Common Anode Dig.1

■ **Features:**

- High Reliability
- Color: White
- Low Power Requirement
- Easy Assembly

■ **Description:**

- Four Digit LED Display
- Digit Height: 14.2mm(0.56" )
- Black Face with Black Overlay and Yellow Segment

■ **Absolute Maximum Rating (Ta=25°C):**

Parameter	Symbol	Condition	Color	Rating	Units
Power Dissipation Per Segment	P <sub>d</sub>	—	White	90	mW
Forward Current Per Segment	I <sub>F</sub>	—	White	25	mA
Peak Forward Current Per Segment	I <sub>FP</sub>	1/10 Duty 1KHz	White	100	mA
Reverse Voltage Per Segment	V <sub>R</sub>	—	White	5	V
Operating Temperature Range	T <sub>opr</sub>	—	—	-35~+105	°C
Storage Temperature Range	T <sub>stg</sub>	—	—	-35~+105	°C

■ **Electrical/Optical Characteristics Rating(Ta=25°C)**

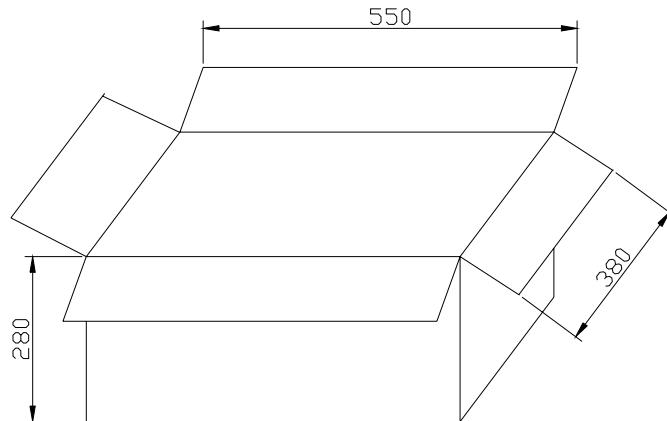
Item	Symbol	Test conditions	Location	Rating			Units
				Min.	Typ.	Max.	
Forward Voltage	V <sub>F</sub>	I <sub>F</sub> =20mA		—	3.20	3.70	V
Reverse Current	I <sub>R</sub>	V <sub>R</sub> =5V	Per Segment	—	—	100	μ A
Luminous Intensity	I <sub>V</sub>	I <sub>F</sub> =10mA	Per Segment	—	25.0	—	mcd
Peak Emission Wave Length	X	I <sub>F</sub> =20mA	Per Segment	—	0.320	—	nm
	Y			—	0.280		
Spectral Line Half Width	△λ	I <sub>F</sub> =20mA	Per Segment	—	25	—	nm
Luminous Intensity Matching Ratio (Segment to Segment)	I <sub>v-m</sub>	I <sub>F</sub> =5mA	—	—	—	1.6 : 1	

■ **Luminous Intensity Sorting: (Luminous intensity tolerance: +/-10%)**

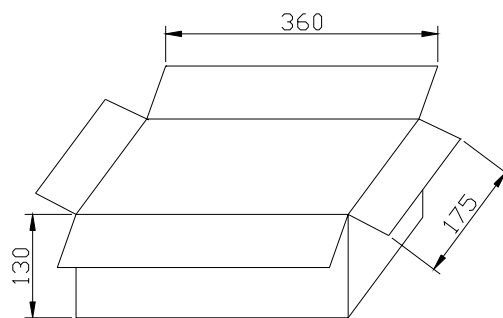
Rank	Symbol	Condition	Min	Max	Unit
2	2	I <sub>F</sub> =10mA	18.1	21	mcd
3	3	I <sub>F</sub> =10mA	21.1	25.0	mcd
4	4	I <sub>F</sub> =10mA	25.1	30.0	mcd
5	5	I <sub>F</sub> =10mA	30.1	36.0	mcd
6	6	I <sub>F</sub> =10mA	36.1	43.0	mcd

■ **Soldering Conditions: Soldering Temp. ≦ +260°C, Soldering Time. ≦ 3sec**

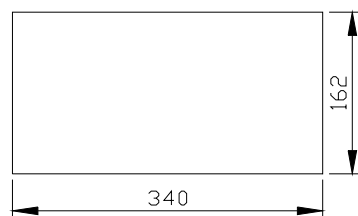
(at 2mm Distance from The Case of Reflector Edge)

**■ Outer Carton Dimension:**

- Note:**
1. An Outer carton contained 6 Inner cartons and 1800 PCS products.
  2. Unless otherwise stated, the tolerance is +5mm / -0mm.
  3. The carton material is A=B Brown Paper.

**■ Inner Carton Dimension:**

- Note:**
1. An Inner carton contained 6 PCS Foam Board and 300 PCS products.
  2. Unless otherwise stated, the tolerance is  $\pm 3$  mm.

**■ Steamed Foam Dimension:**

- Note:**
1. A Steamed Foam contained 51 PCS products.
  2. Unless otherwise stated, the tolerance is  $\pm 2$  mm.