

World Components Network Service Ltd**Customer Name:****Date:****2016-2-23****Part No:****WCN1S-1036B7-A1****Product Group
Description:****LED Display****Customer Part No:****Approval Date:****Customer
Confirmation****Approved by****Checked by****Athena
2016-2-23****Prepared By****Fei
2016-2-23****Country of Origin: China****World Components Network Service Ltd****5th Floor,Block A-2,Xuxingda Ind Zone
Shiyan Town,Bao An District , Shenzhen
Tel : (86)755-29000022
Fax : (86)755-29000023****www . wcnopto.net**

Table of Contents

NO.	ITEM	PAGE
1	Cover	1
2	Table of Contents	2
3	Revision Record	3
4	Description	4
5	Outer Dimension and Circuit Diagram	5
6	Absolute Maximum Rating and Electrical/Optical Characteristics Rating	6
7	Typical Electrical/ Optical Characteristic Curves and Spectrometer	7
8	Packaging Data	8
9	Moisture Proof Packaging	9

World Components Network Service Ltd

REVISION RECORD

MARKER	Matter for revision	SHEET	DTAE	MAKER	APPOVED SIGN	
	Reason for revision					
A0	<p style="text-align: center;">P# WCN1S-1036B7-A1</p> <hr style="border-top: 1px dashed black;"/> <p style="text-align: center;">New Version issued</p>	Whole Spec	2016-2- 23	Fei	Athena	

1. Type No./Manufacture's Name

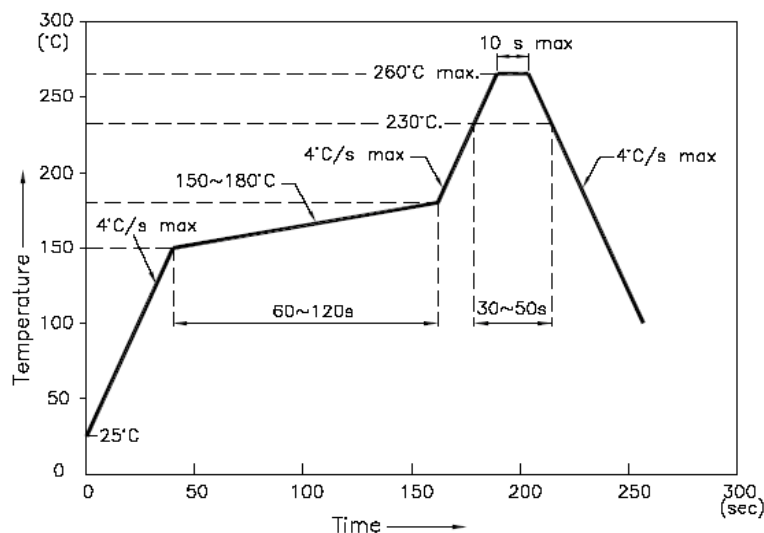
WCN1S-1036B7-A1 / World Components Network Service Ltd.

2. Features:

- . High Reliability
- . Low Power Requirement
- . Easy Assembly

3. Faction: Display Digit Characteristic**4. Soldering Conditions: Soldering Temp. 260 ± 5 °C, Soldering Time. 3~5 sec.**

Soldering Power <30 W.

5. Re-flow Temp/Time**NOTES:**

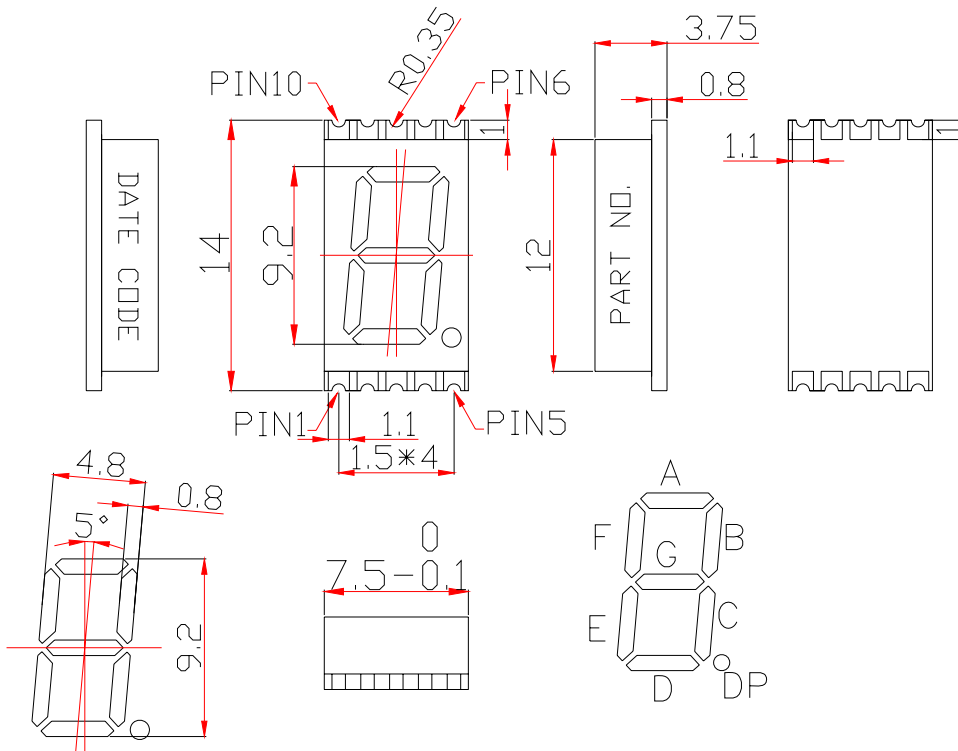
5.1. We recommend the re-flow temperature $245^{\circ}\text{C} (\pm 5^{\circ}\text{C})$. the maximum soldering temperature should be limited to 260°C .

5.2. Don't cause stress to the epoxy resin while it is exposed to high temperature. Number of re-flow process shall be 2 times or less.

6. Description:

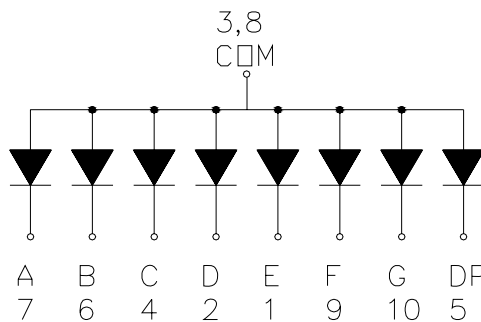
- . Single Digit LED Display
- . Digit Height: 9.2mm (0.36")
- . Gray Face and Milky Segment
- . Color: Blue

Outer Dimension:



Notes: Unless otherwise stated, the tolerance is ± 0.25 mm.

Circuit Diagram:



Pin Connection:

PIN NO.	CONNECTION	PIN NO.	CONNECTION
1	Cathode E	6	Cathode B
2	Cathode D	7	Cathode A
3	Common Anode	8	Common Anode
4	Cathode C	9	Cathode F
5	Cathode DP	10	Cathode G

World Components Network Service Ltd

■ ABSOLUTE MAXIMUM RATINGS AT TA=25°C

Parameter	Symbol	Condition	Color	Rating	Units
Power Dissipation Per Segment	P _a	—	Blue	92.5	mW
Forward Current Per Segment	I _F	—	Blue	25	mA
Peak Forward Current Per Segment	I _{FP}	1/10 Duty 1KHz	Blue	100	mA
Reverse Voltage Per Segment	V _R	—	Blue	5	V
Operating Temperature Range	Topr	—	—	-40~+105	°C
Storage Temperature Range	Tstg	—	—	-40~+105	°C

■ Electrical/Optical Characteristics Rating(Ta=25°C)

Item	Symbol	Test conditions	Location	Rating			Units
				Min.	Typ.	Max.	
Forward Voltage	V _F	I _F =20mA	Per Chip	2.6	3.2	3.7	V
Reverse Current	I _R	V _R =5V	Per Chip	—	—	100	μA
Luminous Intensity	I _V	I _F =10mA	Per Chip	10501	16500	26000	ucd
Wave Length	λ _P	I _F =20mA	Per Chip	—	460	—	nm
	λ _D			465	470	475	
Luminous Intensity Matching Ratio (Segment To Segment)	I _{v-m}	I _F =10mA				1.2:1	

■ Luminous Intensity Sorting: (Luminous intensity tolerance :+/-10%)

Rank	Symbol	Condition	Min	Max	Unit
Q	Q	I _F =10mA	10501	12800	ucd
R	R	I _F =10mA	12801	15250	ucd
S	S	I _F =10mA	15251	18000	ucd
T	T	I _F =10mA	18001	21500	ucd
U	U	I _F =10mA	21501	26000	ucd

■ **Typical Optical-Electronic Characteristic Curves**

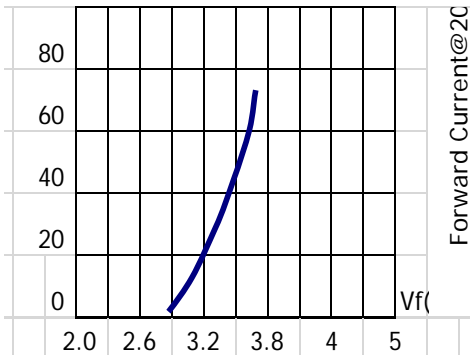


Fig.1 FORWARD CURRENT VS. FORWARD VOLTAGE.

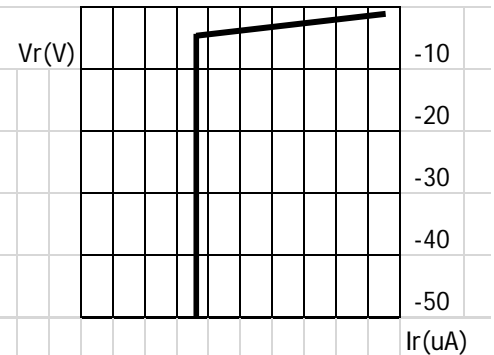
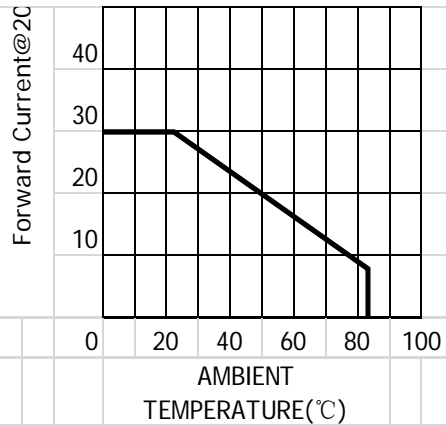


Fig.2 REVERSE CURRENT VS. REVERSE VOLTAGE.

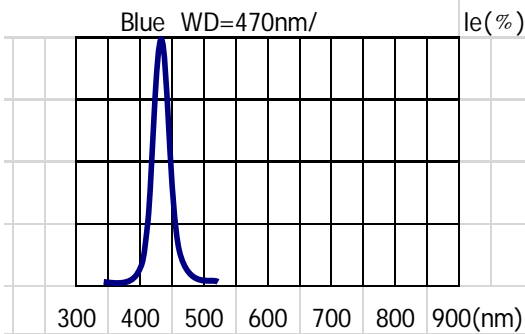
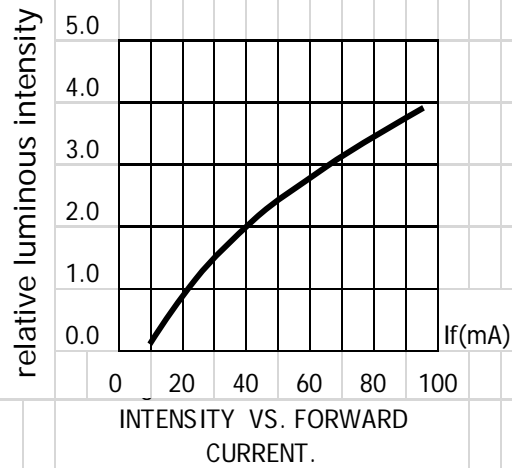
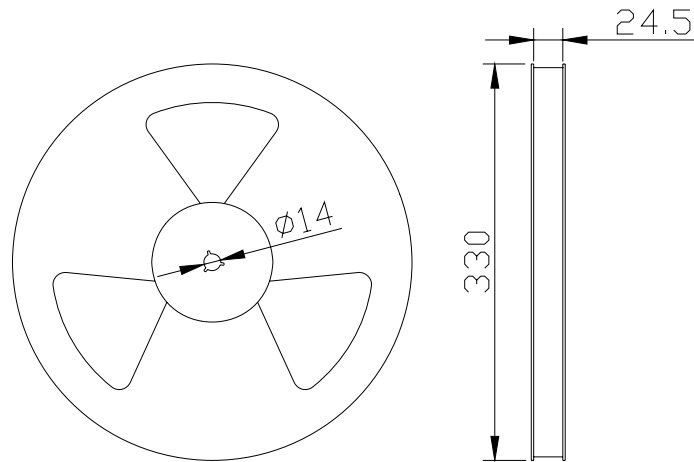


Fig.4 RELATIVE LUMINOUS INTENSITY VS. WAVELENGTH.

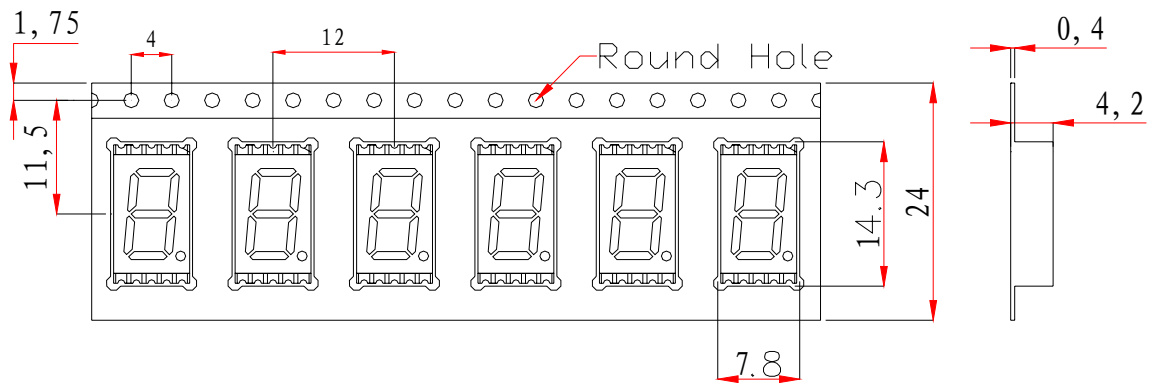


INTENSITY VS. FORWARD CURRENT.

■ Packing Reel Dimensions(mm):

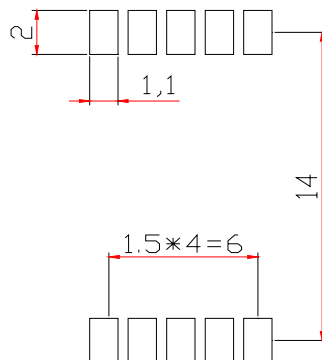


■ Dimensions of Tape (Unit: mm)



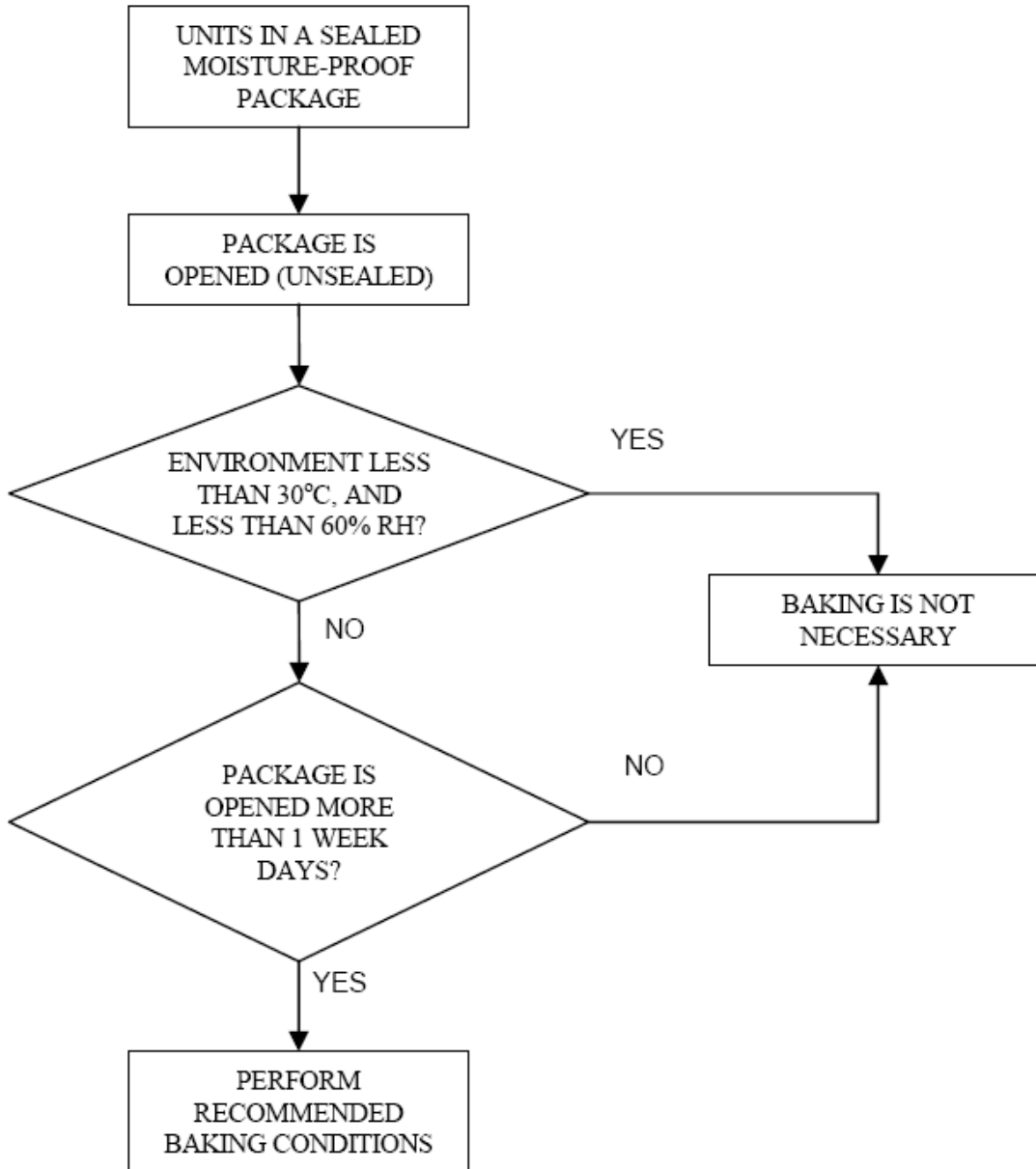
■ One Reel contained 1200 PCS products:

■ Recommended Soldering Pattern:



■ **Moisture Proof Packaging:**

All N/D SMD displays are shipped in moisture proof package. The displays should be stored at 30°C or less and 60% RH or less. Once the package opened, moisture absorption begins.



■ **Baking Conditions:**

If the parts not stored in dry conditions, they must be baked before re-flow to prevent damage to the parts.

Package	Temperature	Time
In Reel	60 °C	≥ 48hours
In Bulk	100 °C	≥ 4hours
	125 °C	≥ 2hours

■ **Baking should only be done once.**