

World Components Network Service Ltd**Customer Name:****Date:**

2016-2-23

Part No:

WCN1S-1030CB-A2

**Product Group
Description:**

LED Display

Customer Part No:**Approval Date:****Customer
Confirmation****Approved by****Checked by**Athena
2016-2-23**Prepared By**Fei
2016-2-23

Country of Origin: China

World Components Network Service Ltd5th Floor,Block A-2,Xuxingda Ind Zone
Shiyan Town,Bao An District , Shenzhen
Tel : (86)755-29000022
Fax : (86)755-29000023[www . wcnopto.net](http://www.wcnopto.net)

Table of Contents

NO.	ITEM	PAGE
1	Cover	1
2	Table of Contents	2
3	Revision Record	3
4	Description	4
5	Outer Dimension and Circuit Diagram	5
6	Absolute Maximum Rating and Electrical/Optical Characteristics Rating	6
7	Typical Electrical/ Optical Characteristic Curves and Spectrometer	7
8	Packaging Data	8
9	Moisture Proof Packaging	9

World Components Network Service Ltd

REVISION RECORD

MARKER	Matter for revision	SHEET	DTAE	MAKER	APPOVED SIGN	
	Reason for revision					
A0	P# WCN1S-1030CB-A2	Whole Spec	2015-12 -18	Fei	Athena	
	New Version issued					
A1	Change File's Set Type		2016-2- 23	Fei	Athena	
	Improved					

1. Type No./Manufacture's Name

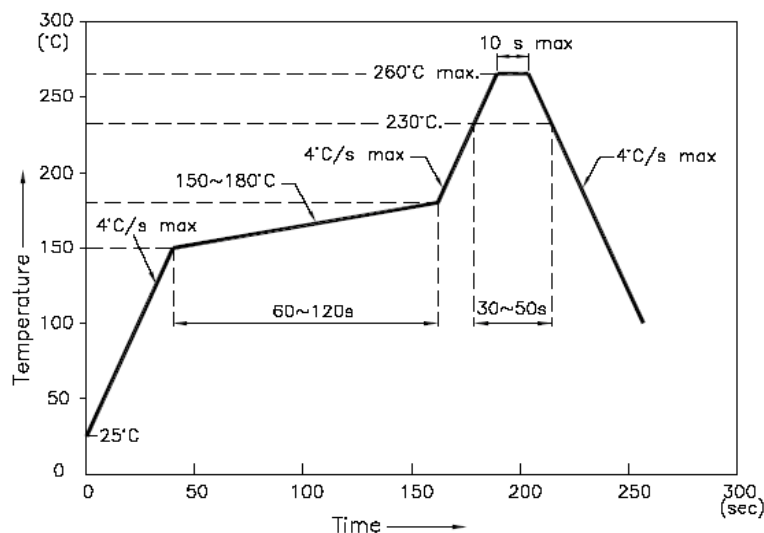
WCN1S-1030CB-A2 / World Components Network Service Ltd.

2. Features:

- High Reliability
- Low Power Requirement
- Easy Assembly

3. Faction: Display Digit Characteristic**4. Soldering Conditions: Soldering Temp. 260 ± 5 °C, Soldering Time. 3~5 sec.**

Soldering Power <30 W.

5. Re-flow Temp/Time**NOTES:**

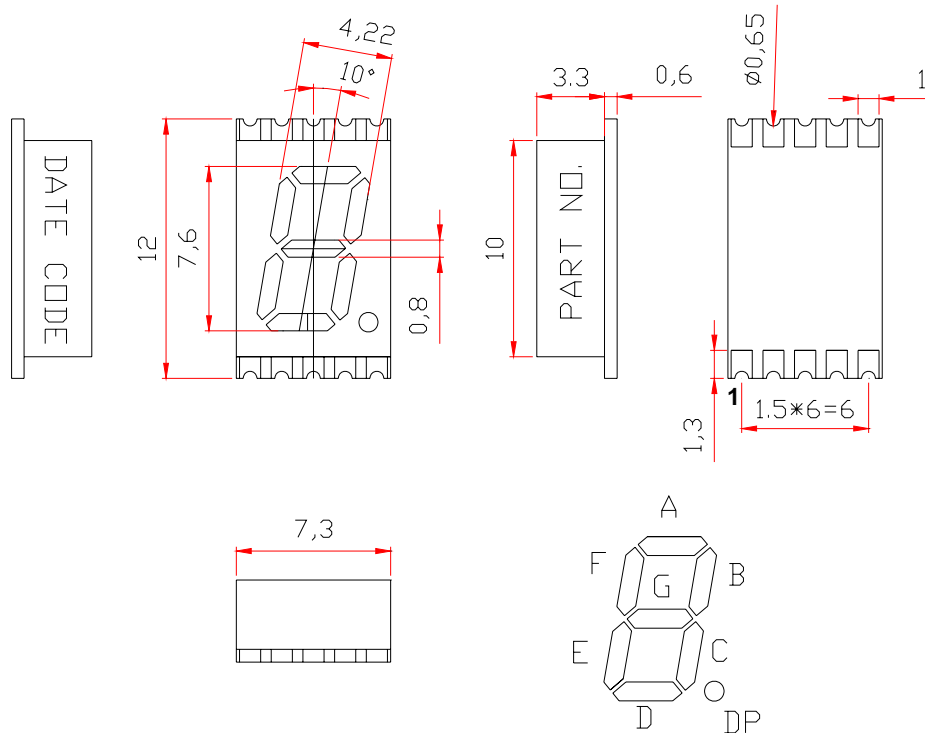
5.1. We recommend the re-flow temperature $245^{\circ}\text{C} (\pm 5^{\circ}\text{C})$. the maximum soldering temperature should be limited to 260°C .

5.2. Don't cause stress to the epoxy resin while it is exposed to high temperature. Number of re-flow process shall be 2 times or less.

6. Description:

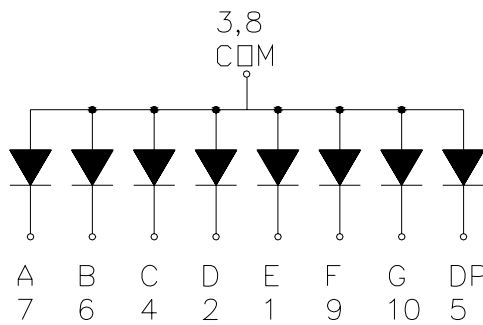
- Single Digit LED Display
- Digit Height: 7.62mm (0.30")
- Gray Face and Milky Segment
- Color: Blue

Outer Dimension:



Notes: Unless otherwise stated, the tolerance is $\pm 0.25\text{mm}$.

Circuit Diagram:



Pin Connection:

PIN NO.	CONNECTION	PIN NO.	CONNECTION
1	Cathode E	6	Cathode B
2	Cathode D	7	Cathode A
3	Common Anode	8	Common Anode
4	Cathode C	9	Cathode F
5	Cathode DP	10	Cathode G

World Components Network Service Ltd

■ ABSOLUTE MAXIMUM RATINGS AT TA=25°C

Parameter	Symbol	Condition	Color	Rating	Units
Power Dissipation Per Segment	P _a	—	Blue	100	mW
Forward Current Per Segment	I _F	—	Blue	25	mA
Peak Forward Current Per Segment	I _{FP}	1/10 Duty 1KHz	Blue	100	mA
Reverse Voltage Per Segment	V _R	—	Blue	5	V
Operating Temperature Range	Topr	—	—	-40~+105	°C
Storage Temperature Range	Tstg	—	—	-40~+105	°C

■ Electrical/Optical Characteristics Rating(Ta=25°C)

Item	Symbol	Test conditions	Location	Rating			Units
				Min.	Typ.	Max.	
Forward Voltage	V _F	I _F =20mA	Per Chip	2.6	3.4	4.0	V
Reverse Current	I _R	V _R =5V	Per Chip	—	—	100	μA
Luminous Intensity	I _V	I _F =10mA	Per Chip	2351	4500	7200	ucd
Wave Length	λ _P	I _F =20mA	Per Chip	—	460	—	nm
	λ _D			465	470	475	
Luminous Intensity Matching Ratio (Segment To Segment)	I _{v-m}	I _F =10mA				1.2:1	

■ Luminous Intensity Sorting: (Luminous intensity tolerance :+/-10%)

Rank	Symbol	Condition	Min	Max	Unit
J	J	I _F =10mA	2351	3050	ucd
K	K	I _F =10mA	3051	4000	μcd
L	L	I _F =10mA	4001	5000	μcd
M	M	I _F =10mA	5001	6100	μcd
N	N	I _F =10mA	6101	7200	μcd

■ **Typical Optical-Electronic Characteristic Curves**

Typical Optical-Electronic Characteristic Curves

光电特性曲线

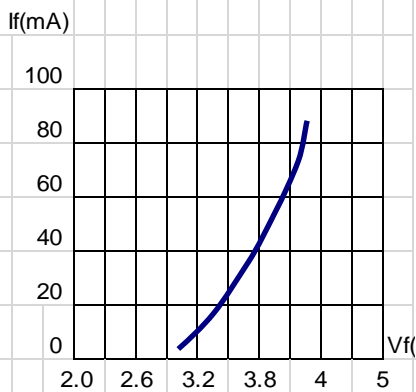


Fig.1 FORWARD CURRENT VS. FORWARD VOLTAGE.

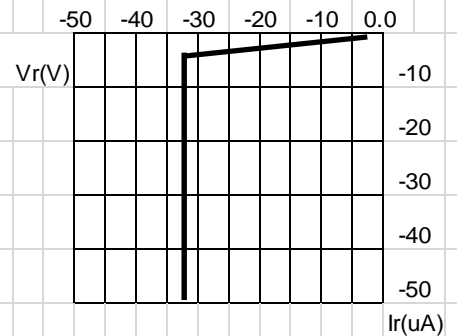
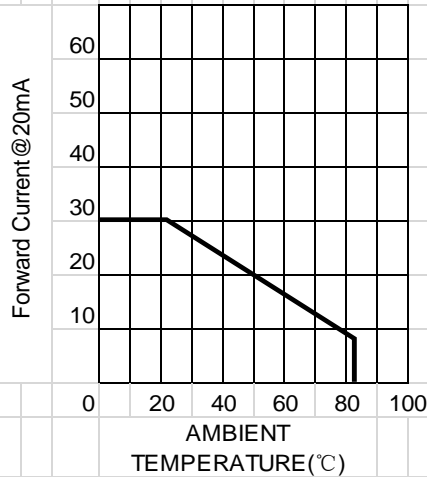


Fig.2 REVERSE CURRENT VS. REVERSE VOLTAGE.

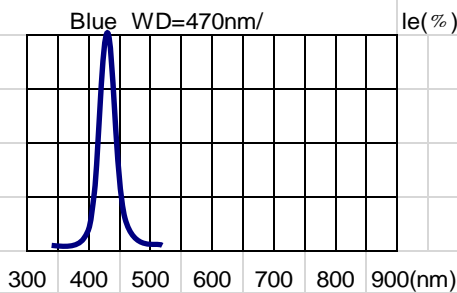
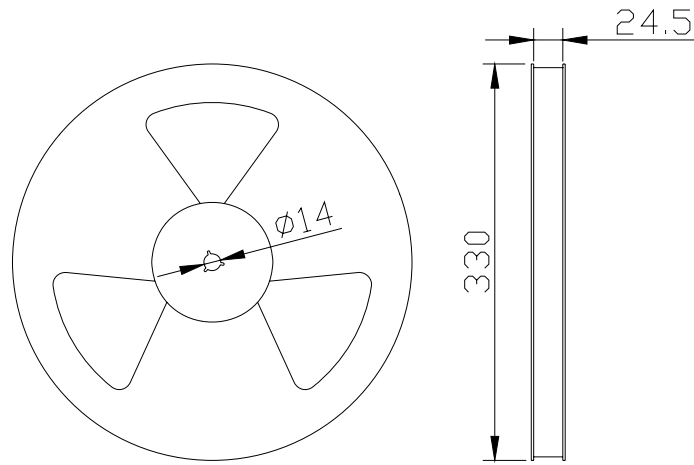


Fig.4 RELATIVE LUMINOUS INTENSITY VS. WAVELENGTH.

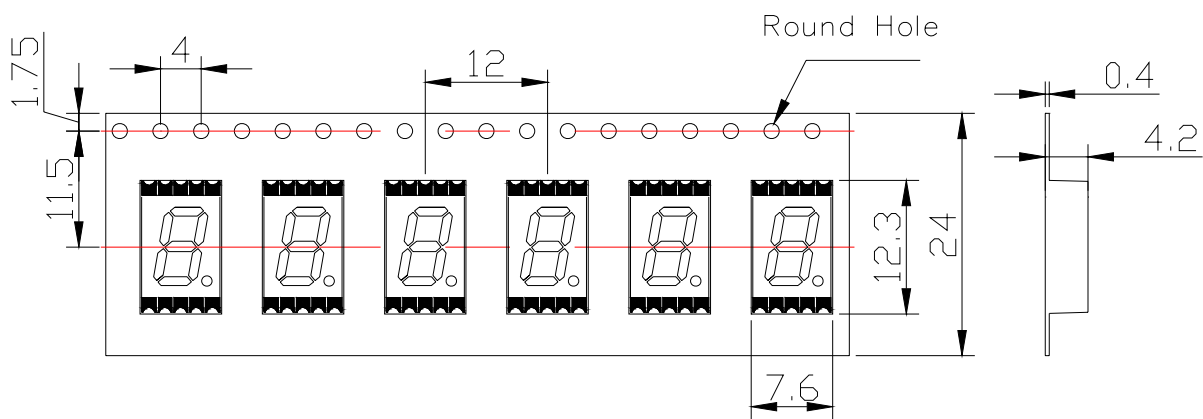


INTENSITY VS. FORWARD CURRENT.

■ Packing Reel Dimensions(mm):

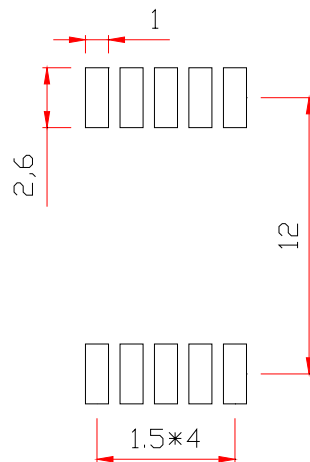


■ Dimensions of Tape (Unit: mm)



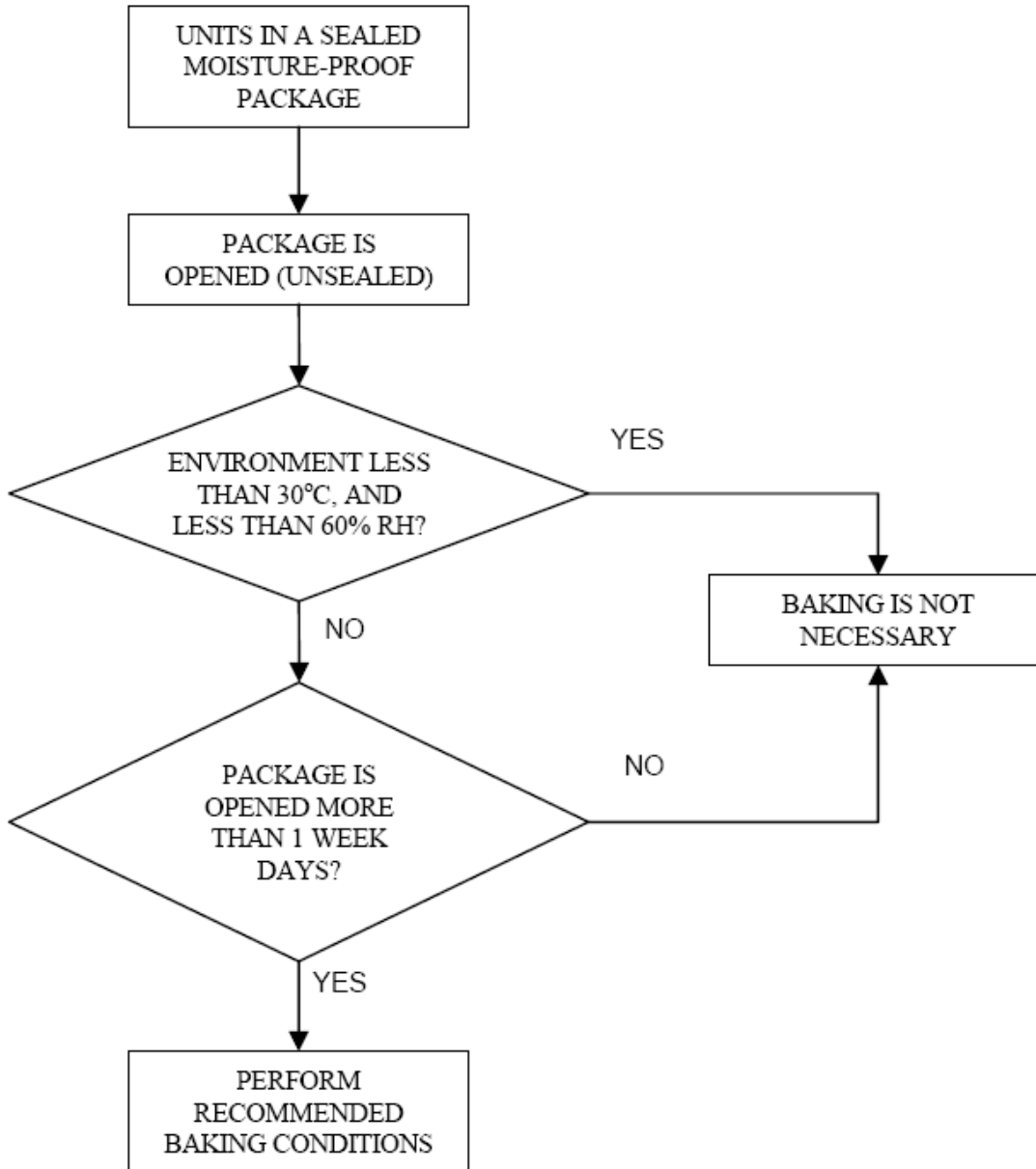
■ One Reel contained 1200 PCS products:

■ Recommended Soldering Pattern:



■ **Moisture Proof Packaging:**

All N/D SMD displays are shipped in moisture proof package. The displays should be stored at 30°C or less and 60% RH or less. Once the package opened, moisture absorption begins.



■ **Baking Conditions:**

If the parts not stored in dry conditions, they must be baked before re-flow to prevent damage to the parts.

Package	Temperature	Time
In Reel	60 °C	≥ 48hours
In Bulk	100 °C	≥ 4hours
	125 °C	≥ 2hours

■ **Baking should only be done once.**