

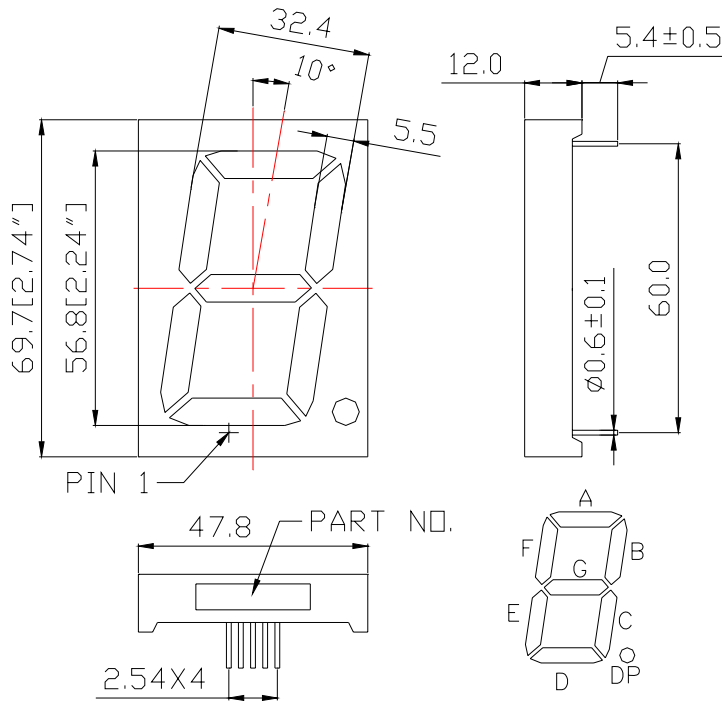
WCN1-00B2SR-A11S

SPECIFICATION

WCN			CUSTOMER Confirmed
Prepared by	Checked by	Approved by	
Athena XU	LV		

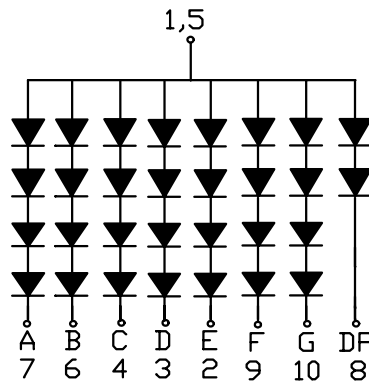
**REVISION: A0**

■ **Outer Dimension:**



Notes: Unless otherwise stated, The tolerance is $\pm 0.25\text{mm}$.

■ **Circuit Diagram**



■ **Pin Connection:**

PIN NO.	CONNECTION	PIN NO.	CONNECTION
1	Common Anode	6	Cathode B
2	Cathode E	7	Cathode A
3	Cathode D	8	Cathode DP
4	Cathode C	9	Cathode F
5	Common Anode	10	Cathode G

■ **Features:**

- High Reliability
- Color: Red
- Low Power Requirement
- Easy Assembly

■ **Description:**

- Single Digit LED Display
- Digit Height:56.80mm(2.24")
- Black Face and Milky Segment

■ **Absolute Maximum Rating (Ta=25°C):**

Parameter	Symbol	Condition	Color	Rating	Units
Power Dissipation Per Segment/DP	P _d	—	Red	260/130	mW
Forward Current Per Segment	I _F	—	Red	25	mA
Derating Of If Per Segment	ΔI _F	Ta ≥ 25°C	Red	0.30	mA/°C
Peak Forward Current Per	I _{FP}	1/10 Duty 10KHz	Red	100	mA
Reverse Voltage Per Segment/DP	V _R	—	Red	20/10	V
Operating Temperature Range	T _{opr}	—	—	-35~+85	°C
Storage Temperature Range	T _{stg}	—	—	-35~+85	°C

■ **Electrical/Optical Characteristics Rating(Ta=25°C)**

Item	Symbol	Test conditions	Location	Rating			Units
				Min.	Typ.	Max.	
Forward Voltage	V _F	I _F =20mA	Per Segment	—	8.00	10.40	V
			DP	—	4.00	5.20	
Reverse Current	I _R	V _R =15V/5V	Per Segment/DP	—	—	100	μA
Luminous Intensity	I _V	I _F =10mA	Per Segment	8.00	15.00	—	mcd
Wave Length	λ _P	I _F =20mA	Per Segment	—	645	—	nm
	λ _D				635		
Spectral Line Half Width	Δλ	I _F =20mA	Per Segment	—	20	—	nm
Luminous Intensity Matching Ratio (Segment To Segment)	I _{v-m}	I _F =10mA				1:1.3	

■ **Luminous Intensity Sorting: (Luminous Intensity Tolerance is +/-10%)**

Rank	Symbol	Condition	Min	Max	Unit
L	L	I _F =10mA	8.00	12.56	mcd
M	M	I _F =10mA	12.56	20.00	mcd
N	N	I _F =10mA	20.00	32.00	mcd

■ **Soldering Conditions: Soldering Temp. ≤ +260°C, Soldering Time. ≤ 3sec.**

(at 2mm Distance from The Case of Reflector Edge)