

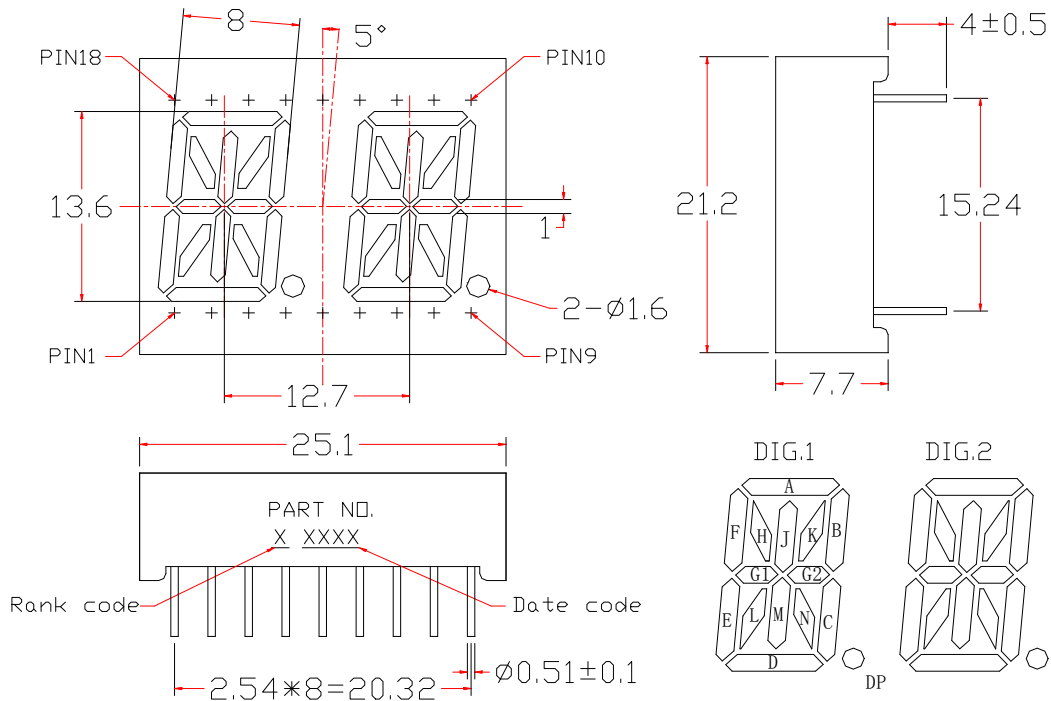
WCN2X-0054WW-A18

SPECIFICATION

WCN			CUSTOMER Confirmed
Prepared by	Checked by	Approved by	
Wei 2021-7-28	Athena		

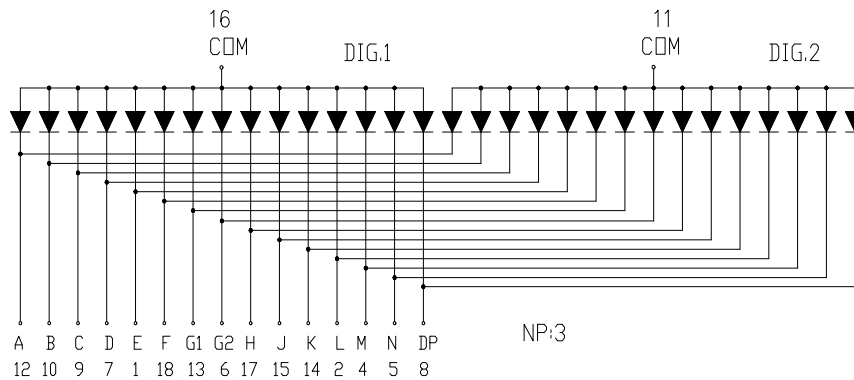
**REVISION: A0**

Outer Dimension:



Notes: Unless otherwise stated, The tolerance is $\pm 0.25\text{mm}$.

Circuit Diagram



Pin Connection:

PIN NO.	CONNECTION	PIN NO.	CONNECTION	PIN NO.	CONNECTION
1	Cathode E	7	Cathode D	13	Cathode G1
2	Cathode L	8	Cathode DP	14	Cathode K
3	NP	9	Cathode C	15	Cathode J
4	Cathode M	10	Cathode B	16	Common Anode DIG1
5	Cathode N	11	Common Anode DIG2	17	Cathode H
6	Cathode G2	12	Cathode A	18	Cathode F

■ **Features:**

- . High Reliability
- . Color: White
- . Low Power Requirement
- . Easy Assembly

■ **Description:**

- . Dual Digit led Display
- . Digit Height:13.6mm(0.54")
- . Black Face and White Segment

■ **Absolute Maximum Rating (Ta=25°C):**

Parameter	Symbol	Condi	Color	Rating	Units
Power Dissipation Per Segment	P_d	—	White	95	mW
Forward Current Per Segment	I_F	—	White	25	mA
Peak Forward Current Per Segment	I_{FP}	1/10 Duty 10KHz	White	100	mA
Reverse Voltage Per Segment	V_R	—	White	5	V
Operating Temperature Range	T_{opr}	—	—	-35~+85	°C
Storage Temperature Range	T_{stg}	—	—	-35~+85	°C

■ **Electrical/Optical Characteristics Rating(Ta=25°C):**

Item	Symbol	Test conditions	Location	Rating			Units
				Min.	Typ.	Max.	
Forward Voltage	V_F	$I_F=20mA$	Per Segment	2.60	3.20	3.80	V
Reverse Current	I_R	$V_R=5V$	Per Segment	—	—	100	μA
Luminous Intensity	I_V	$I_F=10mA$	Per Segment	60	—	120	mcd
CIE Coordinate	X	$I_F=20mA$	Per Segment	—	0.29	—	nm
	Y			—	0.28	—	
Luminous Intensity Matching Ratio (Segment To Segment)	I_{v-m}	$I_F=10mA$				1.5:1	

■ **Soldering Conditions:** Soldering Temp. $\leq +260^\circ C$ Soldering Time. $\leq 3sec.$
(at 2mm Distance from The Case of Reflector Edge)

■ Packaging Data:

80 pcs / Plastic tray (350*250*14).

1360 pcs / Box(365*265*255mm).

2720 pcs / Carton(550*380*280mm).

