

## World Components Network Service Ltd

**Customer Name:**

**Date:**

2016-2-23

**Part No:**

WCN3S-1036HY-A1

**Product Group  
Description:**

LED Display

**Customer Part No:**

**Approval Date:**

**Customer  
Confirmation**

**Approved by**

**Checked by**

Athena  
2016-2-23

**Prepared By**

Fei  
2016-2-23

Country of Origin: China

**World Components Network Service Ltd**

5th Floor,Block A-2,Xuxingda Ind Zone  
Shiyan Town,Bao An District , Shenzhen  
Tel : (86)755-2900022  
Fax : (86)755-2900023



[www . wcnopto.net](http://www.wcnopto.net)

**Table of Contents**

<b>NO.</b>	<b>ITEM</b>	<b>PAGE</b>
1	Cover	1
2	Table of Contents	2
3	Revision Record	3
4	Description	4
5	Outer Dimension and Circuit Diagram	5
6	Absolute Maximum Rating and Electrical/Optical Characteristics Rating	6
7	Typical Electrical/ Optical Characteristic Curves and Spectrometer	7
8	Packaging Data	8
9	Moisture Proof Packaging	9

# World Components Network Service Ltd

## REVISION RECORD

MARKER	Matter for revision	SHEET	DTAE	MAKER	APPOVED SIGN	
	Reason for revision					
A0	P# WCN3S-1036HY-A1	Whole Spec	2015-8-17	Fei	Athena	
	New Version issued					
A1	Add Package Data	Page.5	2015-8-27	Fei	Athena	
	Change Out Size Shape					
A2	Change File's Set Type	Whole Spec	2016-2-23	Fei	Athena	
	Improved					

**1. Type No./Manufacture's Name**

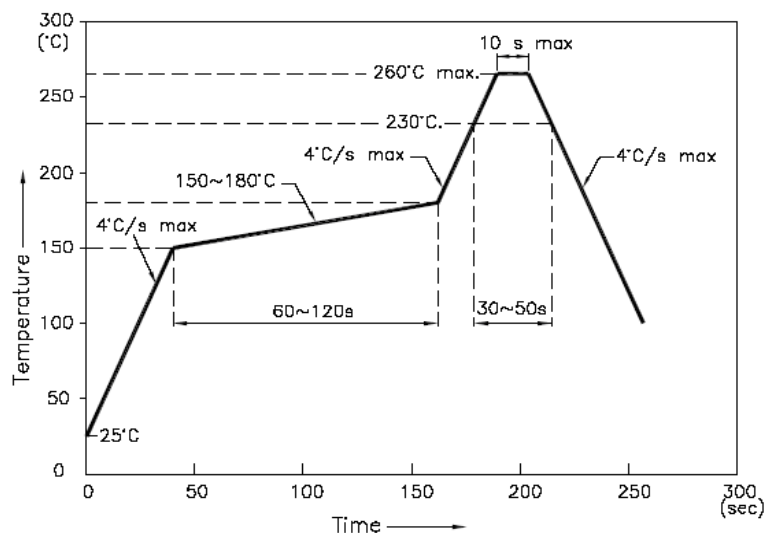
WCN3S-1036HY-A1 / World Components Network Service Ltd.

**2. Features:**

- High Reliability
- Low Power Requirement
- Easy Assembly

**3. Faction: Display Digit Characteristic****4. Soldering Conditions: Soldering Temp.  $260 \pm 5$  °C, Soldering Time. 3~5 sec.**

Soldering Power <30 W.

**5. Re-flow Temp/Time****NOTES:**

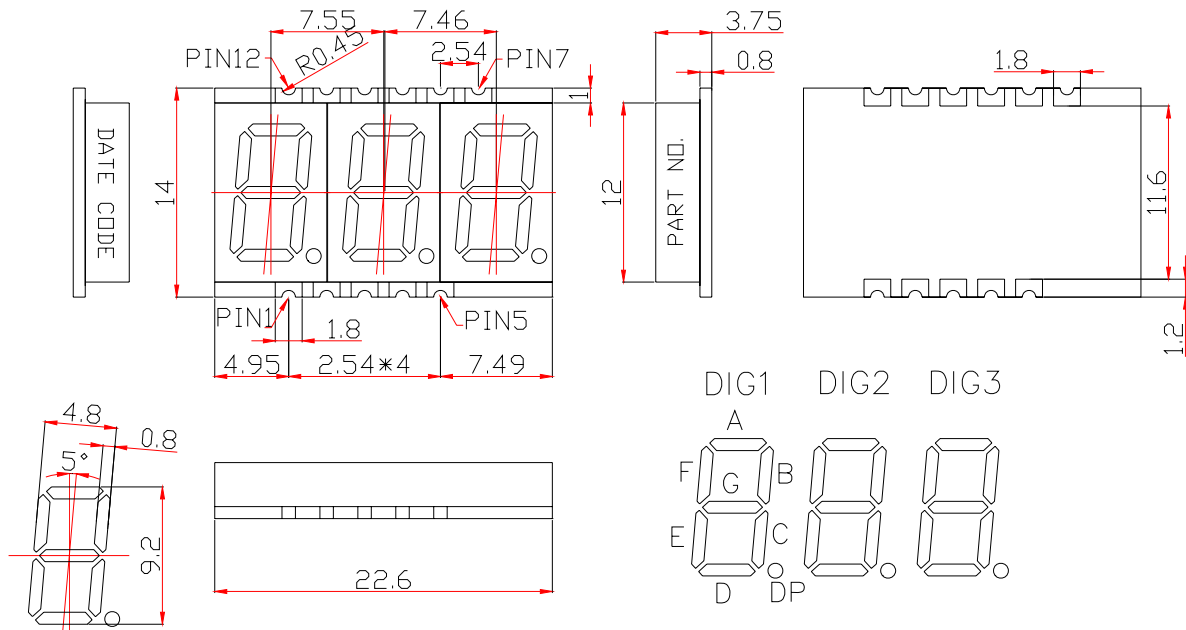
5.1. We recommend the re-flow temperature  $245^{\circ}\text{C} (\pm 5^{\circ}\text{C})$ . the maximum soldering temperature should be limited to  $260^{\circ}\text{C}$ .

5.2. Don't cause stress to the epoxy resin while it is exposed to high temperature. Number of re-flow process shall be 2 times or less.

**6. Description:**

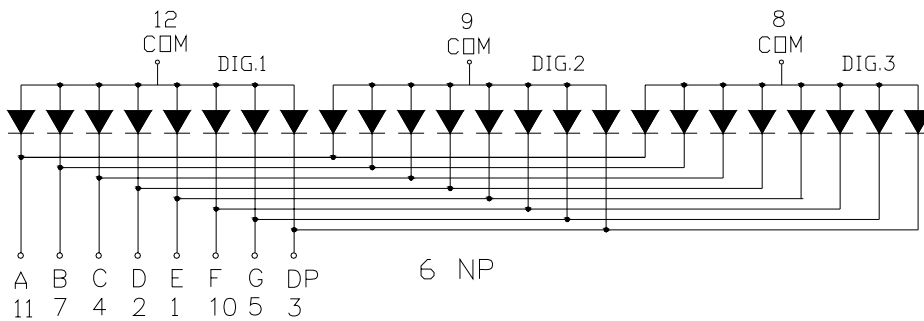
- Three Digit LED Display
- Digit Height:  $9.2\text{mm} (0.36'' )$
- Gray Face and Milky Segment
- Color: Yellow

### Outer Dimension:



Notes: Unless otherwise stated, the tolerance is  $\pm 0.25\text{mm}$ .

### Circuit Diagram:



### Pin Connection:

PIN NO.	CONNECTION	PIN NO.	CONNECTION
1	Cathode E	7	Cathode B
2	Cathode D	8	Common Anode dig3
3	Cathode DP	9	Common Anode dig2
4	Cathode C	10	Cathode F
5	Cathode G	11	Cathode A
6	NP	12	Common Anode dig1

# World Components Network Service Ltd

## ■ ABSOLUTE MAXIMUM RATINGS AT TA=25°C

Parameter	Symbol	Condition	Color	Rating	Units
Power Dissipation Per Segment	$P_d$	—	Yellow	65	mW
Forward Current Per Segment	$I_F$	—	Yellow	25	mA
Peak Forward Current Per Segment	$I_{FP}$	1/10 Duty 1KHz	Yellow	100	mA
Reverse Voltage Per Segment	$V_R$	—	Yellow	5	V
Operating Temperature Range	$T_{opr}$	—	—	-40~+105	°C
Storage Temperature Range	$T_{stg}$	—	—	-40~+105	°C

## ■ Electrical/Optical Characteristics Rating(Ta=25°C)

Item	Symbol	Test conditions	Location	Rating			Units
				Min.	Typ.	Max.	
Forward Voltage	$V_F$	$I_F=20mA$	Per Chip	1.80	2.00	2.60	V
Reverse Current	$I_R$	$V_R=5V$	Per Chip	—	—	100	$\mu A$
Luminous Intensity	$I_V$	$I_F=10mA$	Per Chip	5001	7800	12800	ucd
Wave Length	$\lambda_P$	$I_F=20mA$	Per Chip	—	595	—	nm
	$\lambda_D$			586	589	592	
Spectral Line Half Width	$\Delta \lambda$	$I_F=20mA$	Per Chip	—	—	20	nm
Luminous Intensity Matching Ratio (Segment To Segment)	$I_{v-m}$	$I_F=10mA$				1.2:1	

## ■ Luminous Intensity Sorting: (Luminous intensity tolerance :+/-10%)

Rank	Symbol	Condition	Min	Max	Unit
M	M	$I_F=10mA$	5001	6100	ucd
N	N	$I_F=10mA$	6101	7200	ucd
O	O	$I_F=10mA$	7201	8500	ucd
P	P	$I_F=10mA$	8501	10500	ucd
Q	Q	$I_F=10mA$	10501	12800	ucd

**Typical Optical-Electronic Characteristic Curves**

光电特性曲线

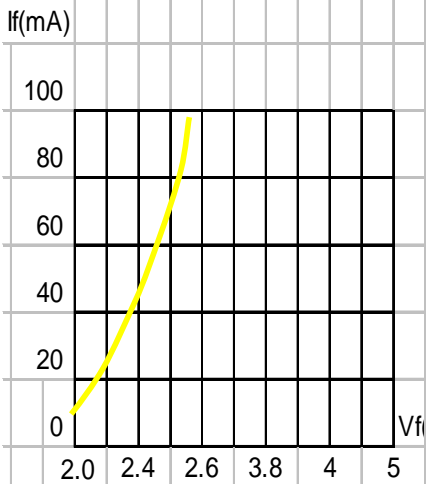


Fig.1 FORWARD CURRENT VS. FORWARD VOLTAGE.

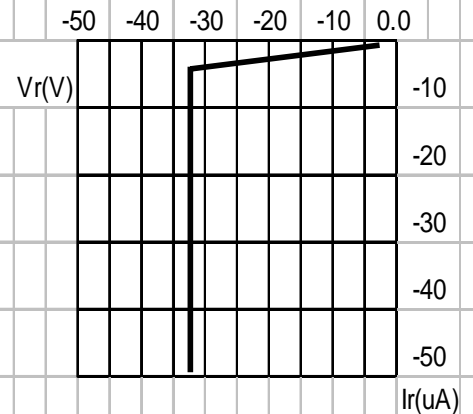
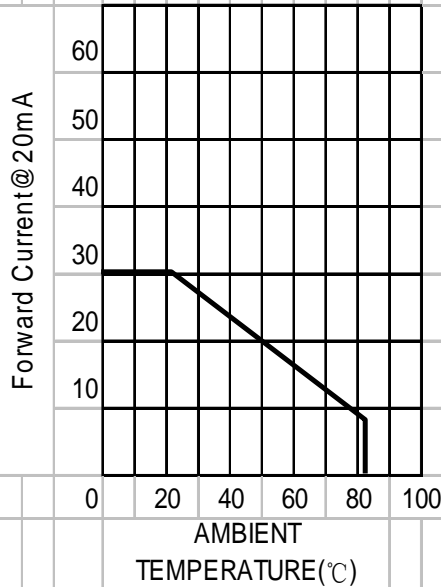
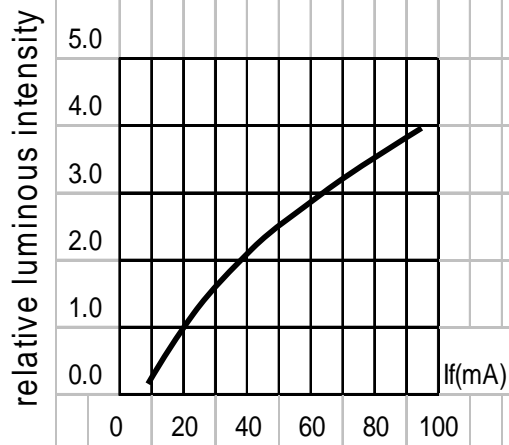
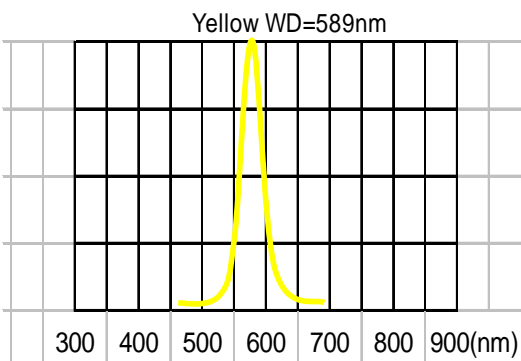
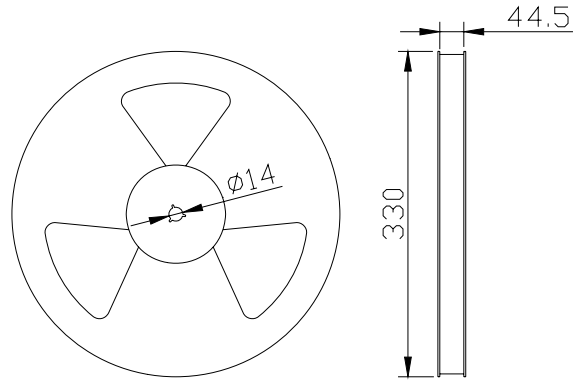


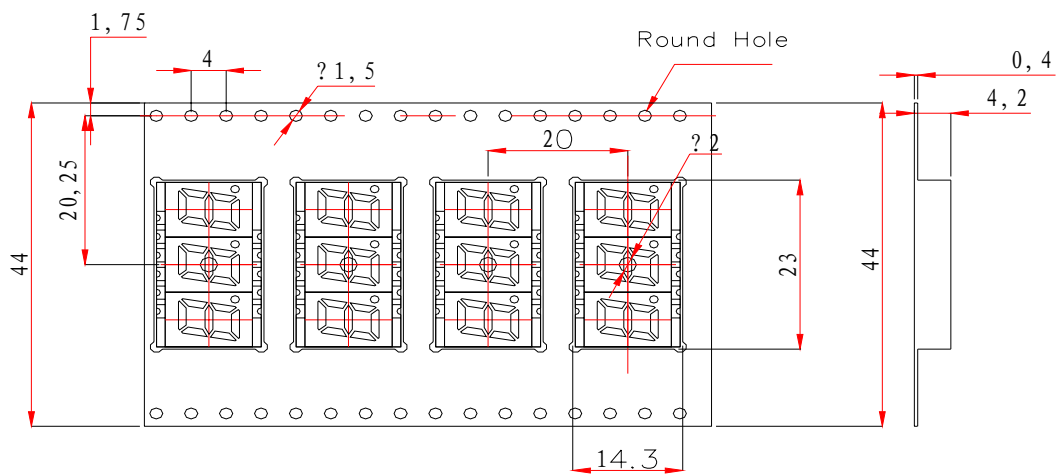
Fig.2 REVERSE CURRENT VS. REVERSE VOLTAGE.



■ Packing Reel Dimensions(mm):

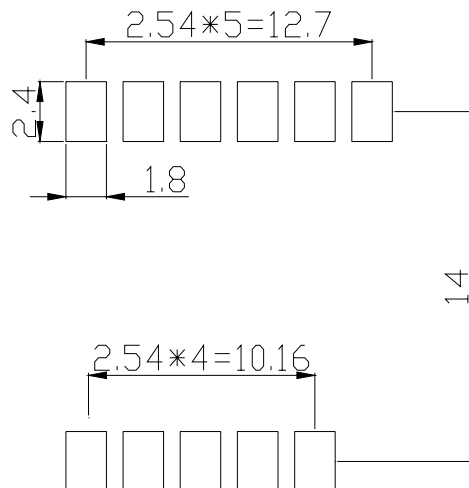


■ Dimensions of Tape (Unit: mm)



■ One Reel contained 700PCS products:

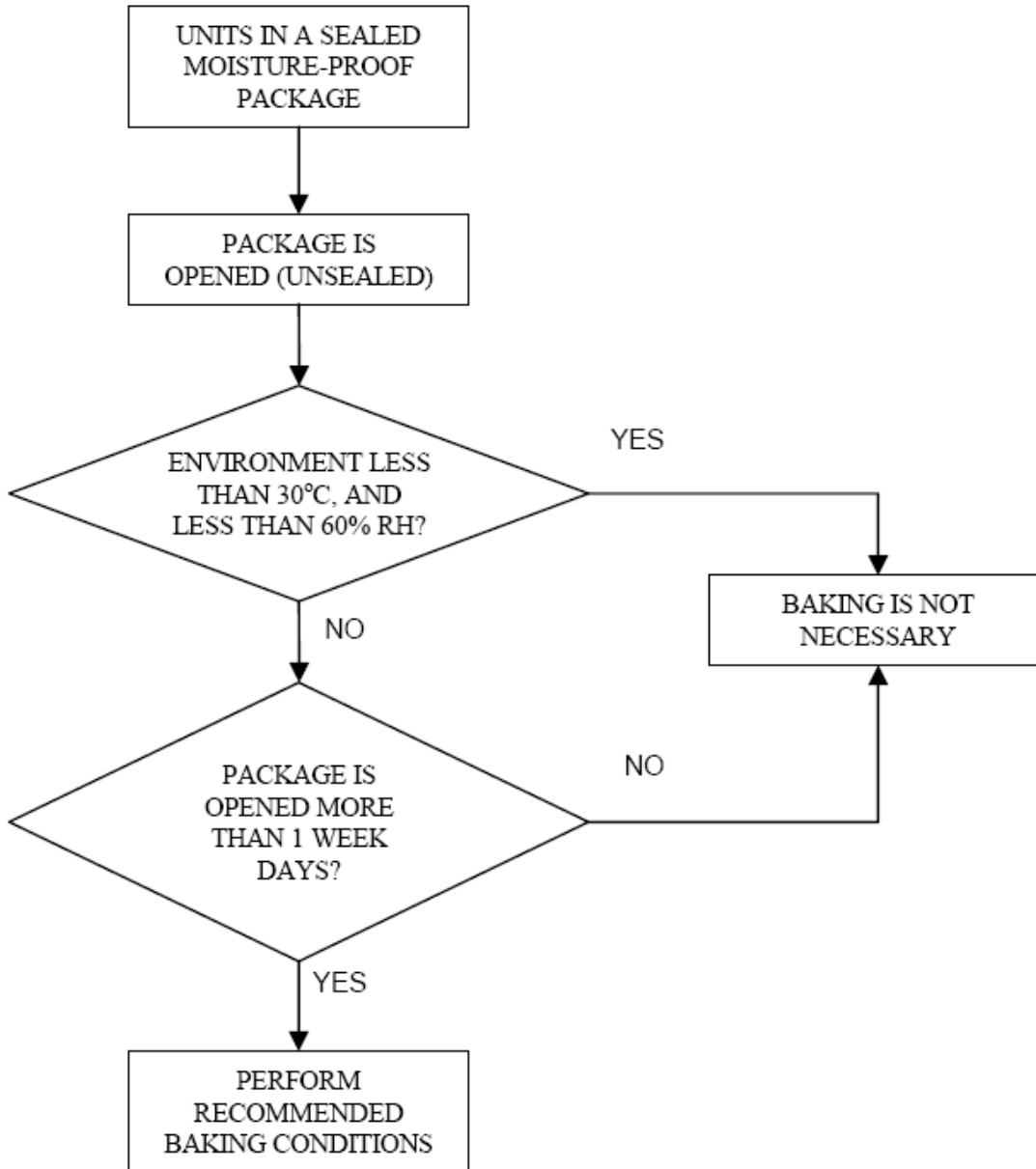
■ Recommended Soldering Pattern:





■ **Moisture Proof Packaging:**

All N/D SMD displays are shipped in moisture proof package. The displays should be stored at 30°C or less and 60% RH or less. Once the package opened, moisture absorption begins.



■ **Baking Conditions:**

If the parts not stored in dry conditions, they must be baked before re-flow to prevent damage to the parts.

Package	Temperature	Time
In Reel	60 °C	≥ 48hours
In Bulk	100 °C	≥ 4hours
	125 °C	≥ 2hours

■ **Baking should only be done once.**